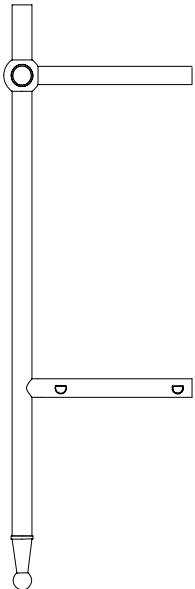
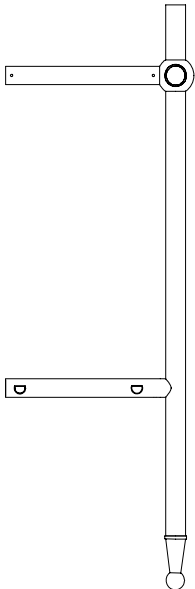

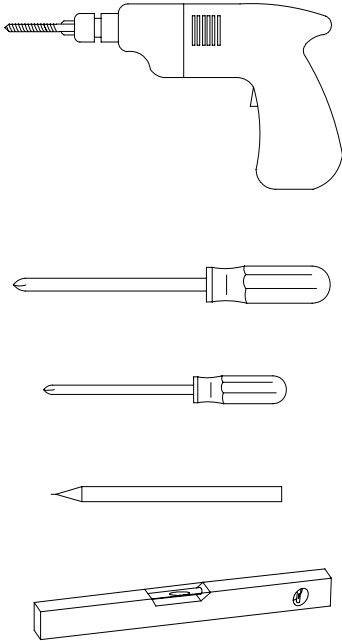

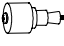
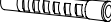



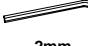

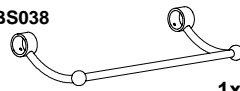



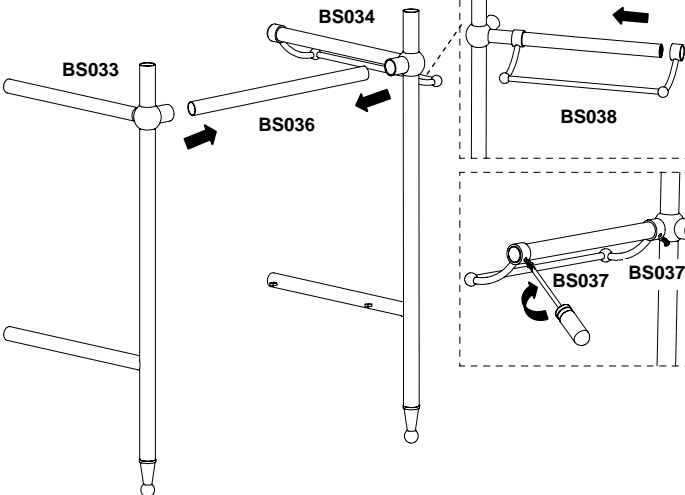
NEW SAVOY 560/575, 610 BASIN STAND

INSTALLATION INSTRUCTIONS

20005000760, 20005000770

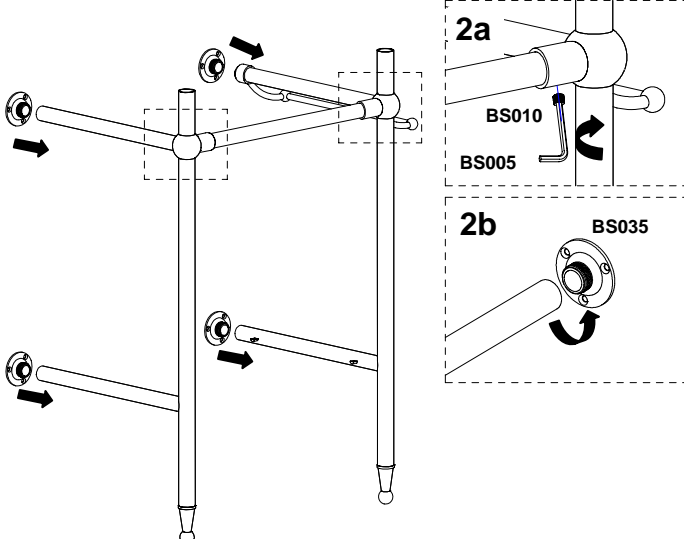
Parts Supplied			Tools Required			
BS033  1x	BS034  1x	BS036  1x				
		BS035  4x			BS008  2x	
		BS006  12x			BS007  ST4 *35mm 12x	
		BS004  M4 *6mm 2x			BS010  M4 *3mm 2x	BS005  2mm 1x
		BS037  2x			BS038  1x	
		BS039  1x				

1

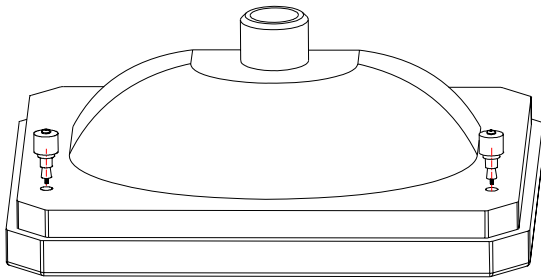
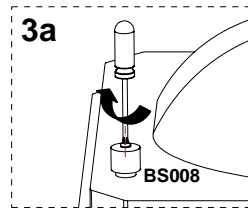


- Insert towel rail into the right vertical stand assembly and align the holes, tighten with the screw supplied.
- Connect the left and right vertical stand assembly with the front horizontal bar.

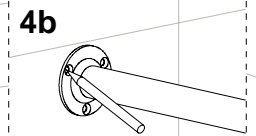
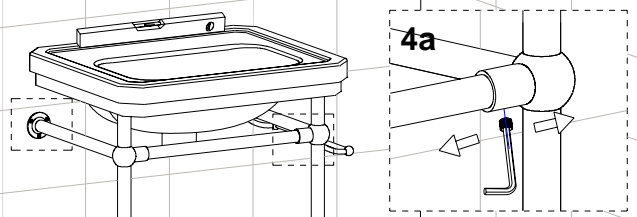
2



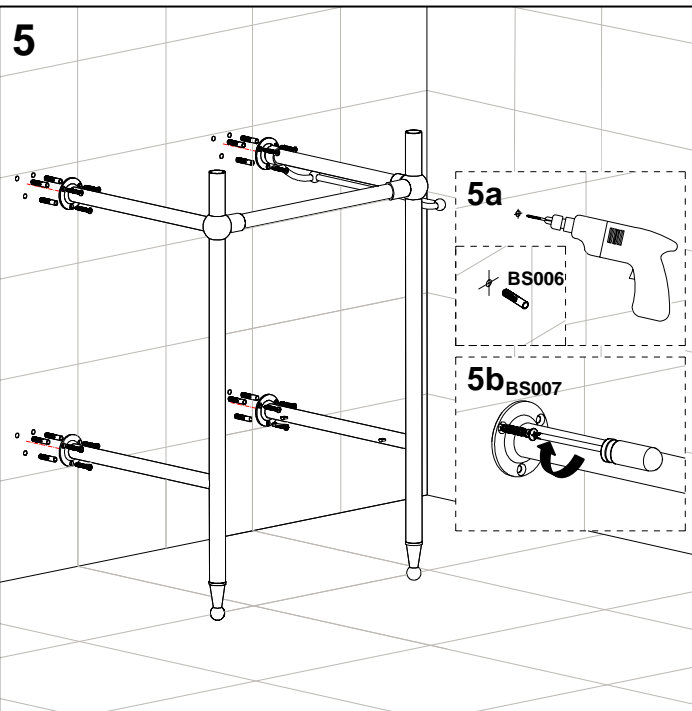
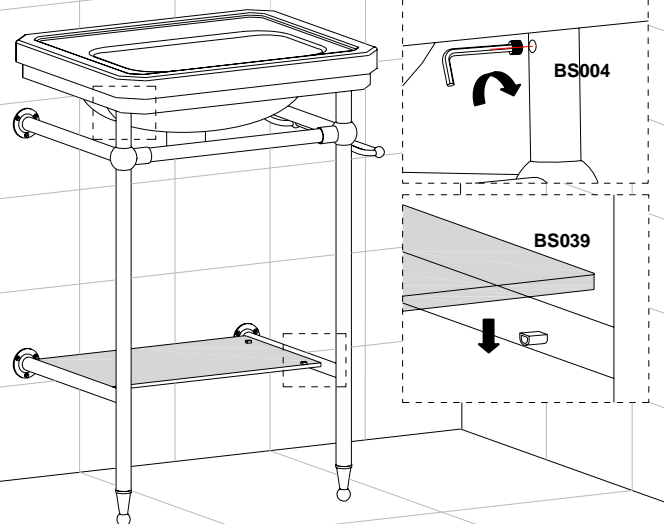
- Fit in the M4*3mm grub screw and tighten with the 2mm allen key supplied, but only tight enough to hold the assembly together. Screw on the 4 wall feet, Stand the assembly against the wall.

3


- Fix the expansion nut into the basin.

4


- Put the basin & glass shelf onto the stand assembly. Adjust the left to right distance if required to ensure the glass shelf lands on the shelf support stud and the nuts on basin mate with the stand assembly; and the front and back distance to ensure the four wall feet land on the wall and there is no distance between the wall and the back of the basin. When the above has been done, tighten the grub screws and mark the wall fixing holes through the wall feet.

5

6


- Basin should be installed so that the back is fixed to the wall using appropriate wall screws and the front is fixed to the frame using BS004 .

After installation ...

Product Cleaning

When cleaning glass and steel surfaces use a soft damp cloth with washing up liquid or similar. Do not use cleaning agents or any other substance containing abrasives since these substances will scratch glass and steel. Do not use cleaners containing bleach as this will effect the stainless steel surface.

Warnings

1. Do not place very hot or very cold items against or in close proximity to glass surfaces unless adequately thick insulating material is used to prevent such items from coming into contact with the glass.
2. Do not strike the glass with hard or pointed items.
3. Please ensure the basin and basin stand is securely fixed to the wall using the guidelines already outlined above before it is used for the first time.
4. Installation must only be done by a competent person.