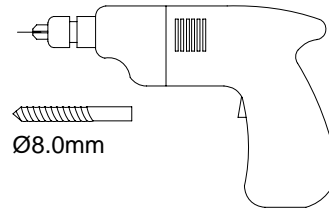
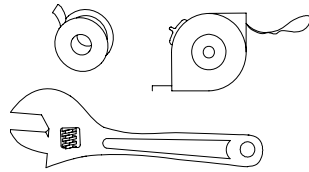
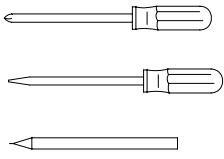
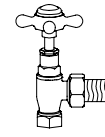
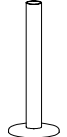


**tools required**

**parts required**


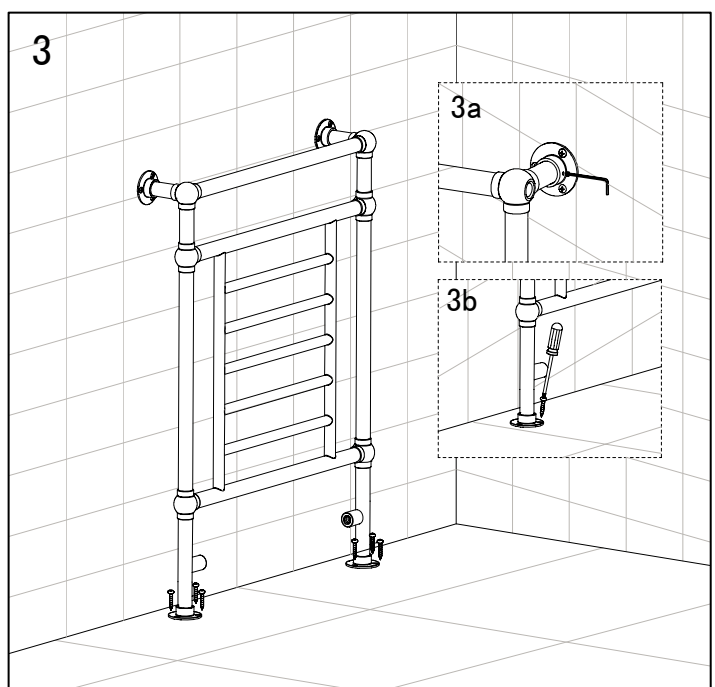
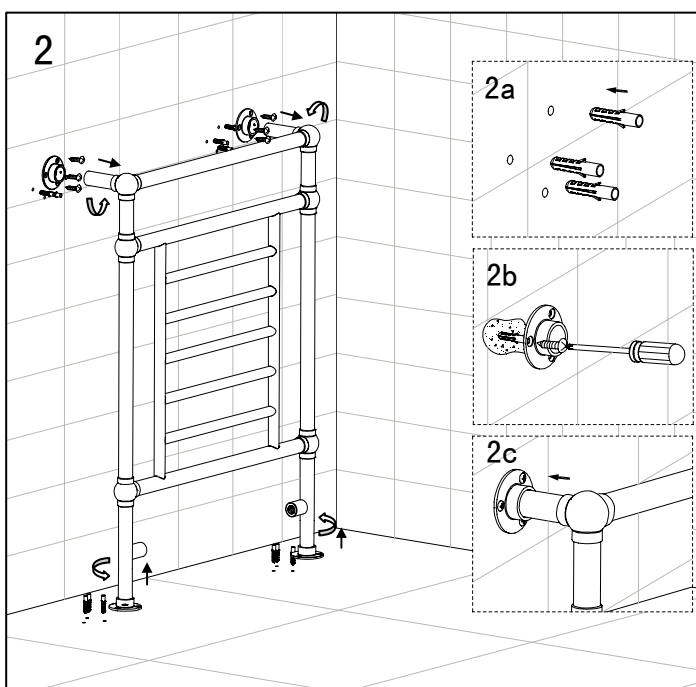
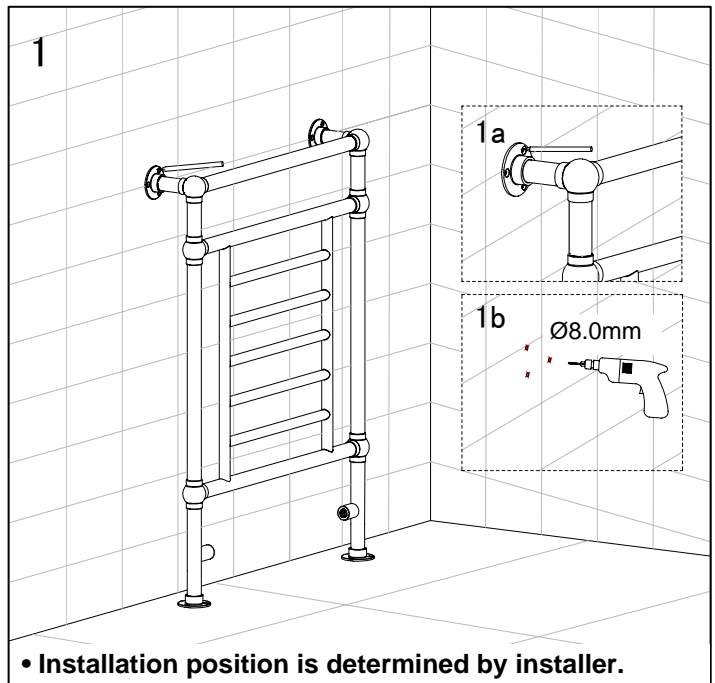
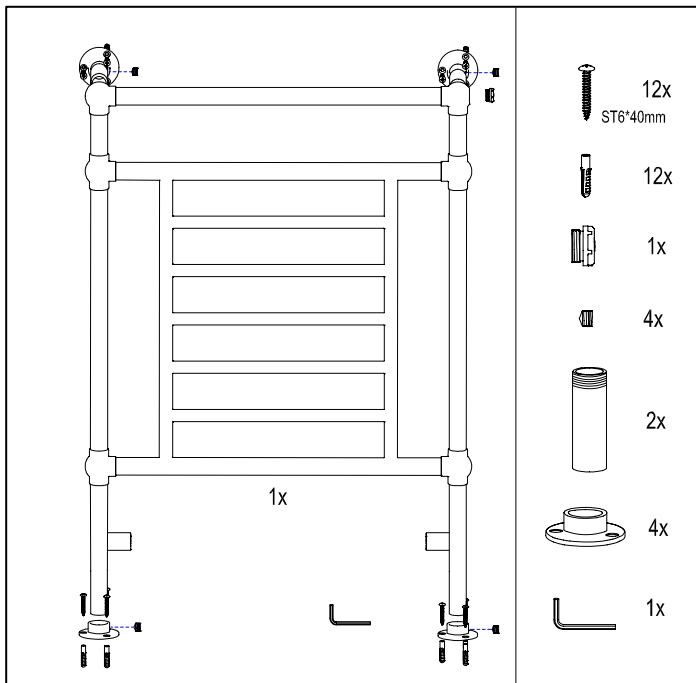
2x

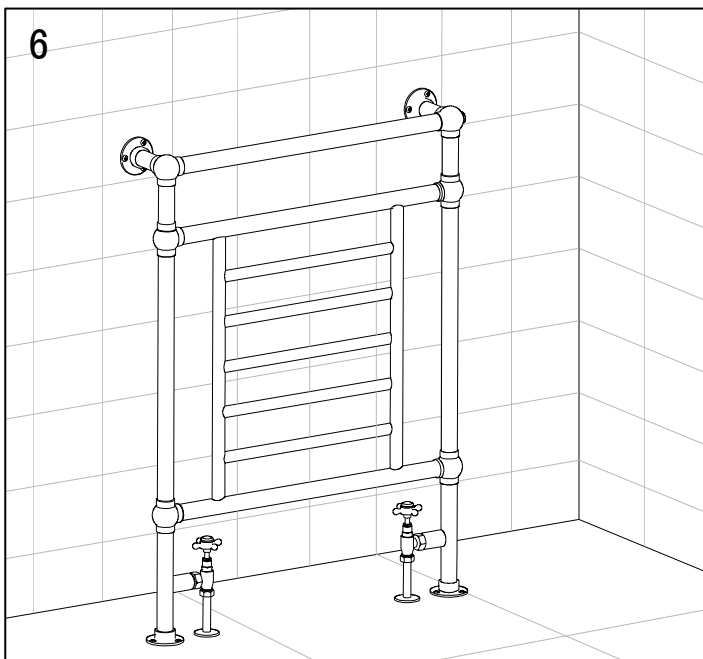
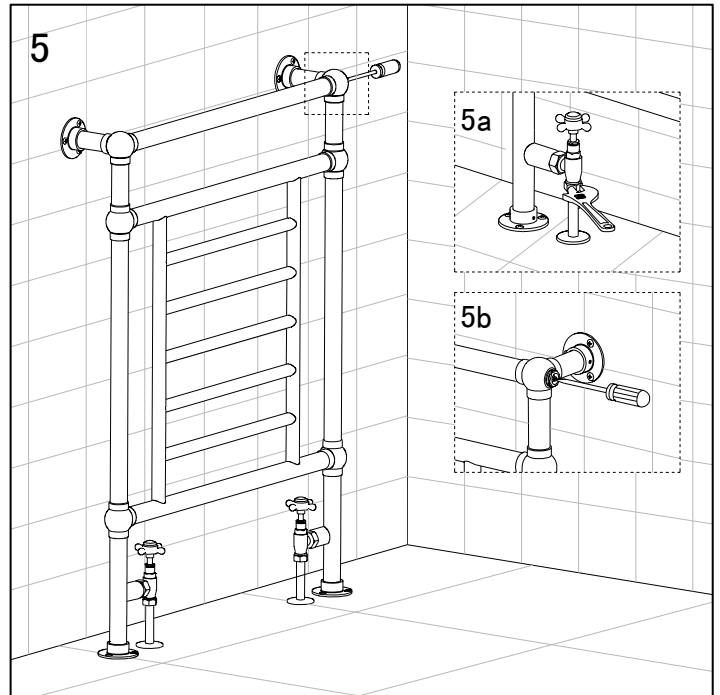
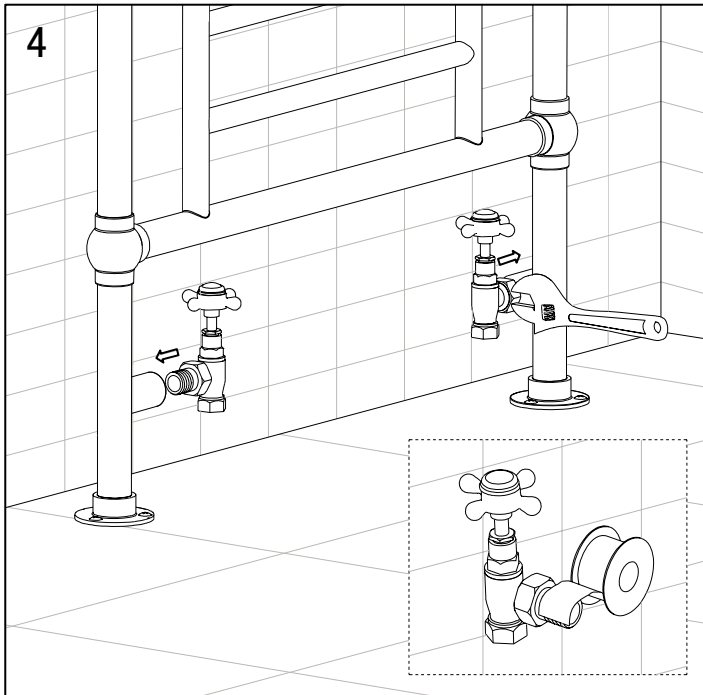


2x

# Classic Radiator Installation Instruction

- review instructions carefully before installation
- installation should be completed by a suitably qualified person
- please dispose of packaging in a responsible manner




**After installation ...**

- Use a screwdriver to open the air vent, open the inlet valve and let the water rush into the radiator. Check all connections for leaks.
- Once water overflows from the air vent, there is no air in the tube.
- Use a screwdriver to close the air vent, Turn on the outlet valve and the radiator is ready for use.

**After care ...**

- Classic Radiators are made from brass with chrome plating, and should not be cleaned with corrosive or scouring cleaning agents.

**Please note...**

- This product can only be used at  $PN \leq 1\text{MPa}$  ( $10\text{Kg/cm}^2$ ,  $10\text{Bar}$ ), It should only be filled with water, and at a temperature below  $100^\circ\text{C}$  ( $212^\circ\text{F}$ ). See table below for installation requirements. If the temperature exceeds  $48^\circ\text{C}$  (or  $120^\circ\text{F}$ ), please install a warning side near to the product to avoid burning a scolding accidents. If the product is not used for a period during which ambient temperatures drop below  $5^\circ\text{C}$  or ( $41^\circ\text{F}$ ), please drain the water out of the radiator to avoid oxidization. For prolonged usage and safe operation please check product at regular intervals.

Fillais medium	Pressure	Temperature	Remarks
water only	$PN \leq 1\text{Mpa}$	$0^\circ\text{C} < t \leq 100^\circ\text{C}$	If ambient temperature drop below $1^\circ\text{C}$ , drain out the water to prevent freezing.