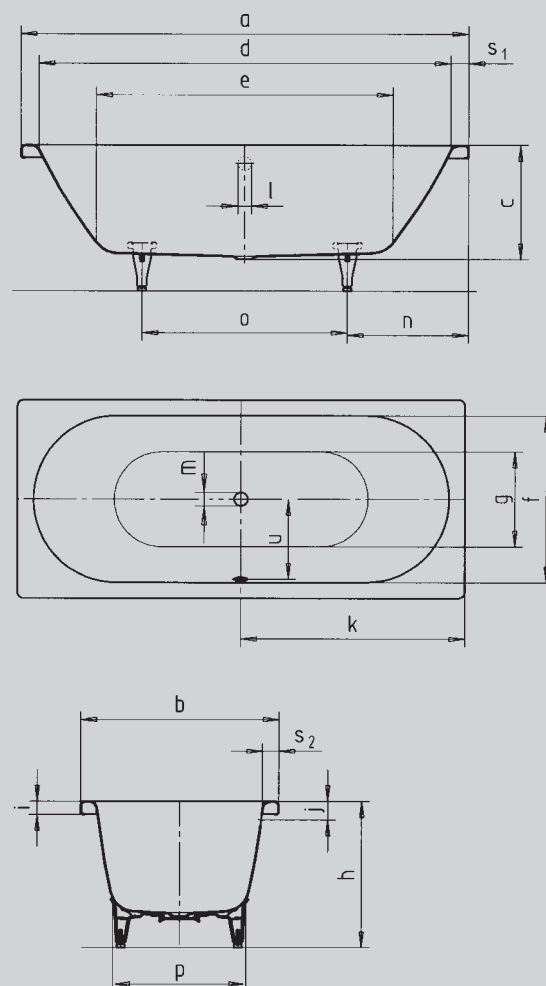


CLASSIC DUO

- pure simplicity and unpretentious elegance are what distinguish these bathtubs
- bathing with a friend: two identical back rests and centrally positioned waste
- classical four-cornered model
- made of Kaldewei steel enamel 3.5 mm



Similar illustration

Model No.	
External length	a
External width	b
Depth	c
Internal length (top)	d
Internal length (bottom)	e
Internal width (top)	f
Internal width (bottom)	g
Height with feet	h
Height of rim	i
Distance top edge to centre of overflow hole	j
Distance tub edge to centre of drain hole	k
Diameter of overflow hole	l
Diameter of drain hole	m
Distance foot end of tub edge to centre of foot	n
Distance between the feet	o
Max. width of feet	p
Width of rim (foot end; lengthwise)	s ₁ ; s ₂
Distance between centre holes	u
Water volume** in litres	
Weight of the enamelled bath tub in kg	

107	110
1700	1800
750	800
430	430
1580	1680
1130	1230
630	680
500	550
560-595	555-590
32	32
70	70
850	900
52	52
52	52
560	600
580	600
470	540
60; 60	60; 60
305	330
122	158
48	53

Subject to technical alterations, tolerances and errors. Similar illustration.
 ** 70 litres displacement on average.