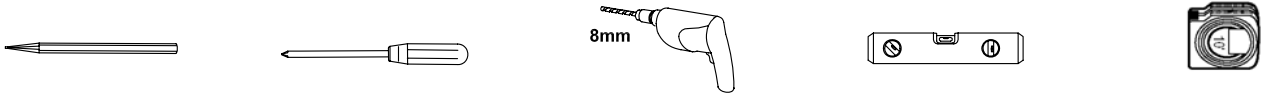
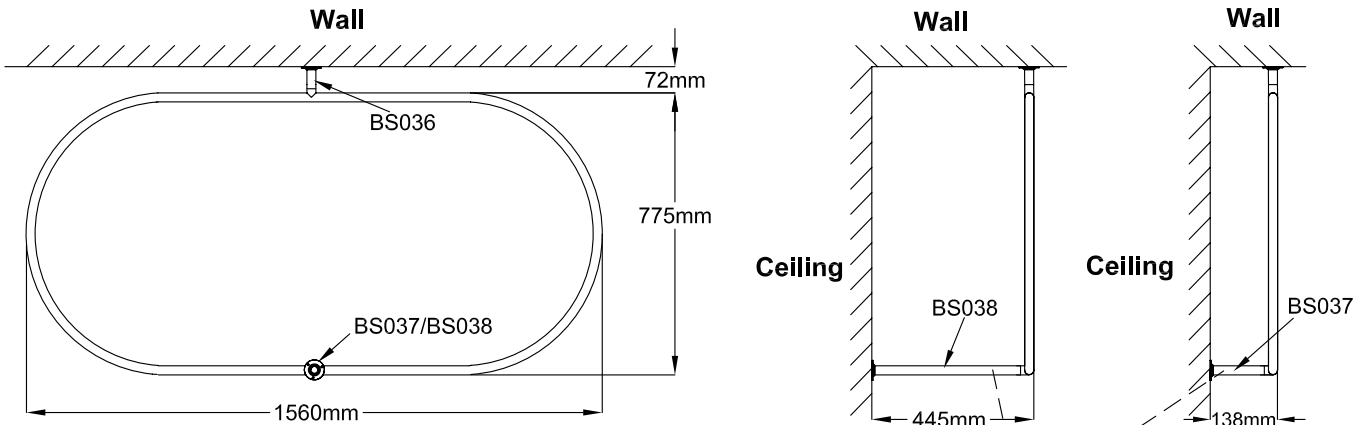
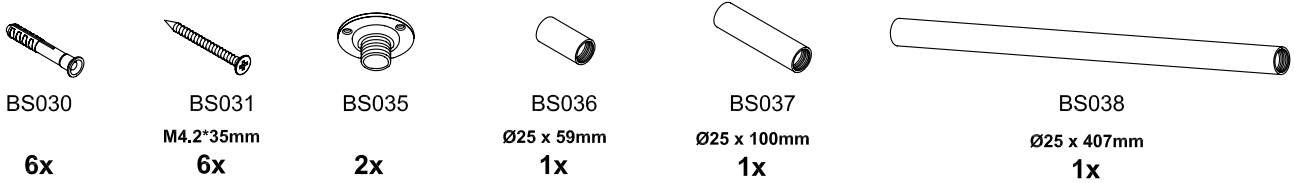


## Oval Shower Curtain Ring Installation Instructions 20005000880

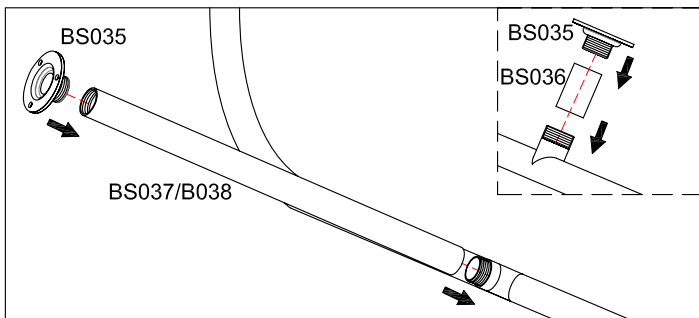
**TOOLS REQUIRED:**



**PARTS SUPPLIED:**

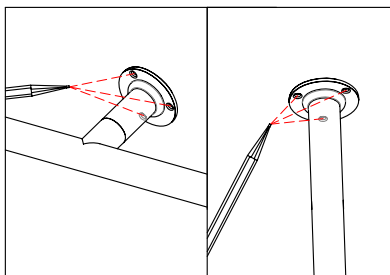


**Fig 1:**

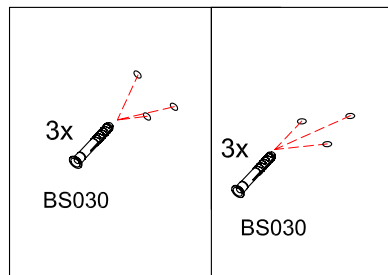


Part BS037 and BS038 are the optional for different distance to ceiling.

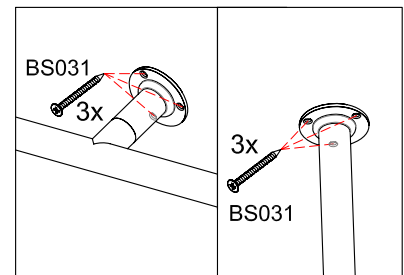
**Fig 2:**



**Fig 3:**



**Fig 4:**



- 1: Screw parts (BS036, BS037/BS038, B035) onto the **Oval Shower Curtain Ring**. (See Fig 1:)
- 2: Determine the final position, mark the 3 holes position each onto the wall & ceiling. (See Fig 2:)
- 3: Drill holes on the marked positions and insert wall plugs supplied. (See Fig 3:)
- 4: Fix the Curtain Ring onto the wall & ceiling by screws supplied. (See Fig 4:)