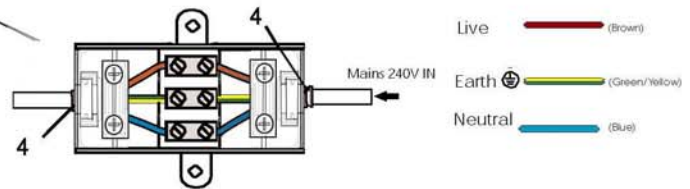


- 1) This Product must be installed by a qualified and competent person in accordance with the national Wiring Regulations, BS.7671
  - 2) It should be installed in a Zone 2 area or beyond ( away from bath or shower)
  - 3) Ensure there are no pipes or wires behind the wall, which may become a hazard during Installation.
  - 4) Surfaces behind the Mirror backs MUST be flat. Uneven surfaces may cause the fitting to twist, and crack the Mirror Glass
  - 5) Check that all terminal connections are securely tightened and all wire strands are inserted into the Terminal block
  - 6) All Supply cables must be heat resistant to 120 Degrees Centigrade
- A) The Fixing Bar (1) has 2 pegs which line up to the Keyholes on the back of the Mirror
- B) Using a spirit level and a pencil, place the Fixing Bar on the wall where you wish to fit the mirror. Draw a faint line under the bottom of the bar and mark where the screw holes (2) are.
- C) Drill the Holes corresponding to the screw holes and insert the wall plugs provided. Screw the Fixing Bar to the wall.



- D) Open the Connector Box using tools(3) and connect the wires from the incoming Mains as per the Diagram making sure the colour of the opposing wires match
- E) Close the lid of the Connector box making sure the Rubber Grommets ( 4) are in position and form a tight seal around the outer white cable
- F) Remove the paper off the adhesive strip on the back of the Connector Box and stick the box on the back of the mirror Make sure the connector box is parallel to the fixing bars Fix the mirror on to the Fixing Bar (1)..
- G) Hang the mirror.

**NOTE:**

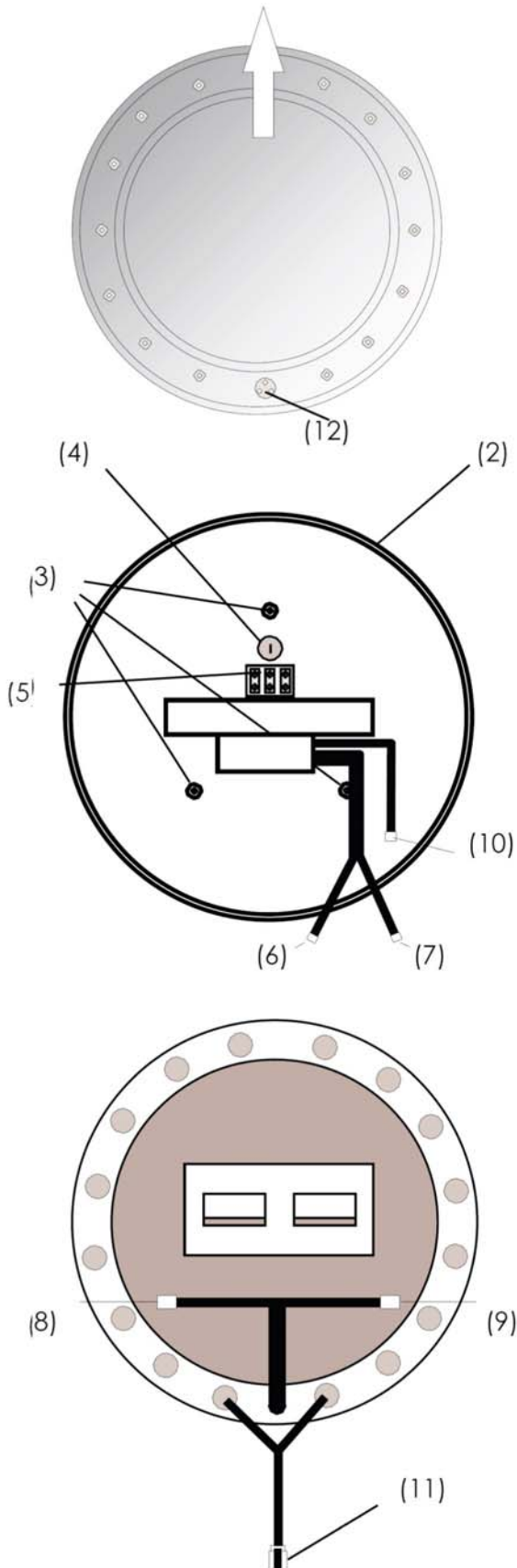
Insert the locking screws (6) ( in the accessory pack) into the holes in the side of the mirror frame. You will have to unscrew these if you need to remove the mirror later.

- H) Switch on the mains.. The Light in the Sensor ( 5 ) should illuminate

- I) Pass your hand in a circular motion in front of the Sensor. Your hand should be positioned less than 3" (75mm) from the Sensor. The LED lights will illuminate.

**POINTS TO NOTE:**

- 1) The Unit is designed to give you years of reliability in normal domestic use. The Sensor is not designed to be vigorously and continuously turned on and off
- 2) Because it works on the reaction to infra red light, the sensitivity of the Sensor can be affected by the ambient light and heat in the room. Moving your hand closer to the sensor should ensure proper working of the unit
- 3) LED Mirrors are suitable for Bathroom Zones 2 & 3, and should not be fitted into Saunas or Steam Rooms or any area where there is a possibility that jets of water may be sprayed
- 4) The LEDs are not replaceable. However, unlike other lamps which run much hotter, they are unlikely ever to fail. There are no user serviceable parts within the unit.



- 1) This Product must be installed by a qualified and competent person in accordance with the national Wiring Regulations, BS.7671
- 2) It should be installed in a Zone 2 area or beyond ( away from bath or shower)
- 3) Ensure there are no pipes or wires behind the wall, which may become a hazard during Installation.
- 4) Surfaces behind the Mirror backs MUST be flat. Uneven surfaces may cause the fitting to twist, and crack the Mirror Glass
- 5) Check that all terminal connections are securely tightened and all wire strands are inserted into the Terminal block
- 6) All Supply cables must be heat resistant to 120 Degrees Centigrade

A) Remove the front of the Mirror by pushing the glass upwards  
Carefully place to one side on a soft surface so the glass does not get marked or chipped.

B) Offer the white Backbox ( 2 ) to the wall where it is to be installed, and mark where the fixing holes are to be drilled with a pencil

C) Drill the Holes corresponding to the screw holes (3) and insert the wall plugs provided.

D) Insert the Mains supply through the rubber membrane (4) making sure there is a snug fit around the Cable

E) Screw the Backbox to the wall using the screws provided

F) Connect the wires from the incoming Mains to the Terminal Block according to the marking on the Terminal block (5)

Live		(Brown)
Earth		(Green/Yellow)
Neutral		(Blue)

G) Connect the Plugs (6) and (7) from the Transformer to Plugs (8) and (9) on the reverse of the Mirror to link up the PIR Sensor

H) Connect Plug (10) from the Transformer to Plug (11) on the reverse of the Mirror to link up the LEDs

I) Having tidied up the internal cables using the cable ties provided, re fit the front of the Mirror on to the Backbox, making sure the Sensor is exactly at the bottom position.

J) Switch on the mains.. The Light in the Sensor ( 5 ) should illuminate

K) Pass your hand IN A Circular MOTION in front of the Sensor. Your hand should be positioned less than 3" (75mm) from the sensor. The LED lights will illuminate

#### POINTS TO NOTE:

- 1) The Unit is designed to give you years of robust use in normal domestic use. The Sensor is not designed to be vigorously and continuously turned on and off
- 2) Because it works on the reaction to infra red light, the sensitivity of the Sensor can be affected by the ambient light and heat in the room. Moving your hand closer to the Sensor should ensure proper working of the unit.

# Bathroom Zones

