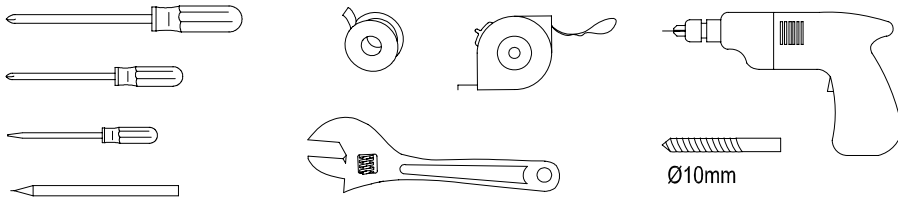
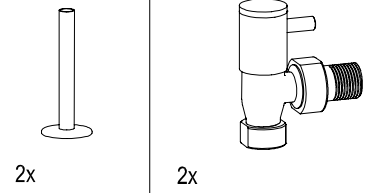


**tools required**

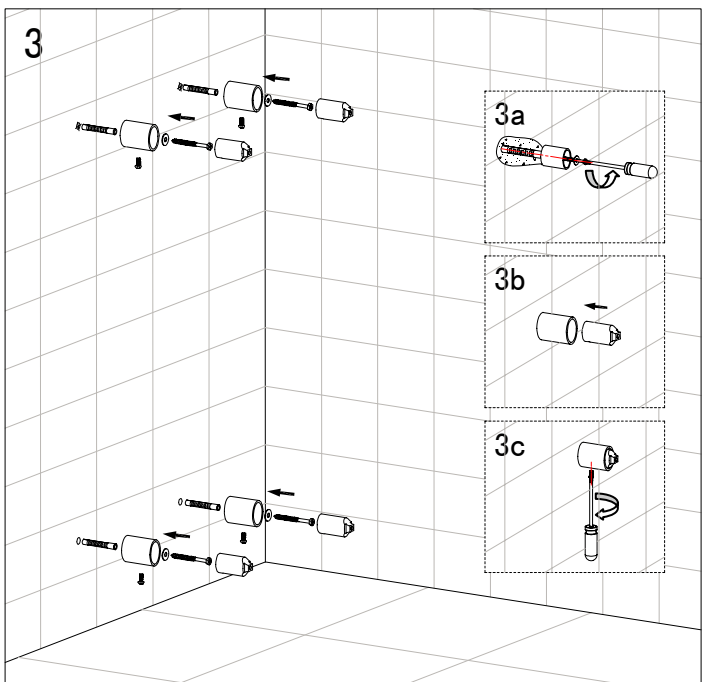
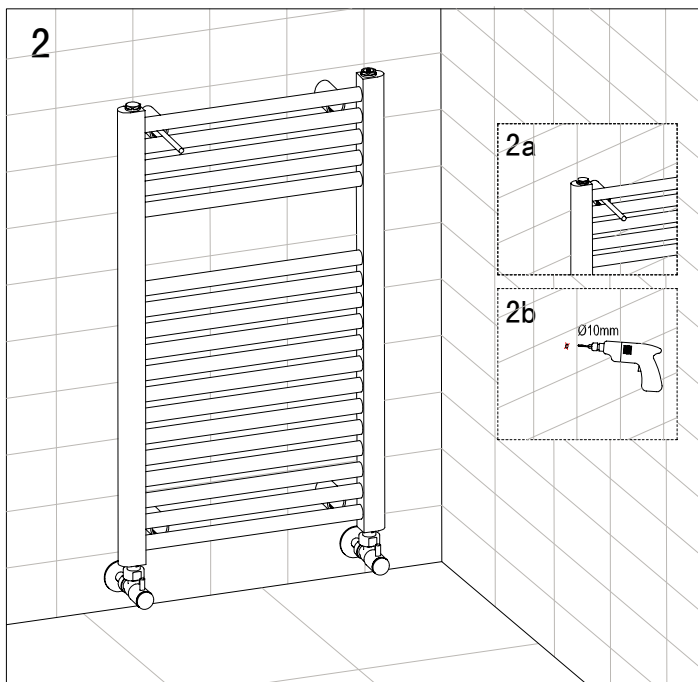
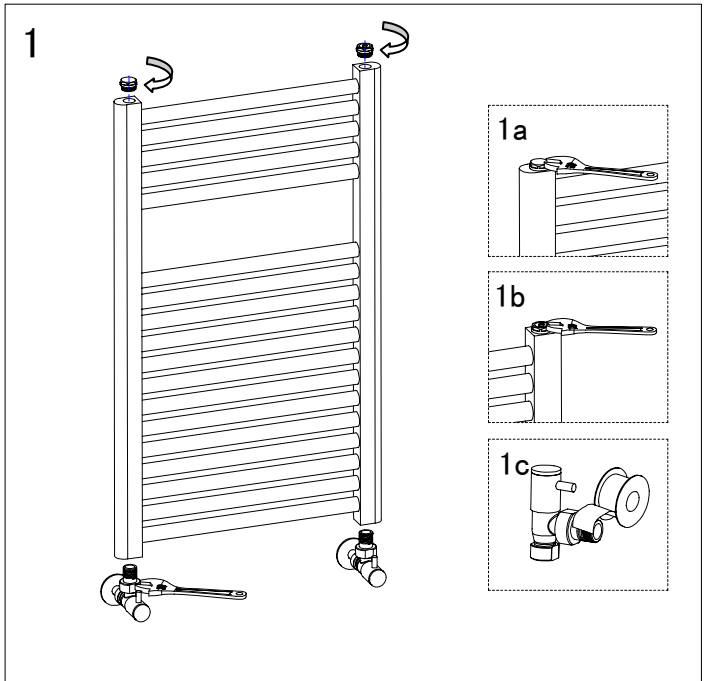
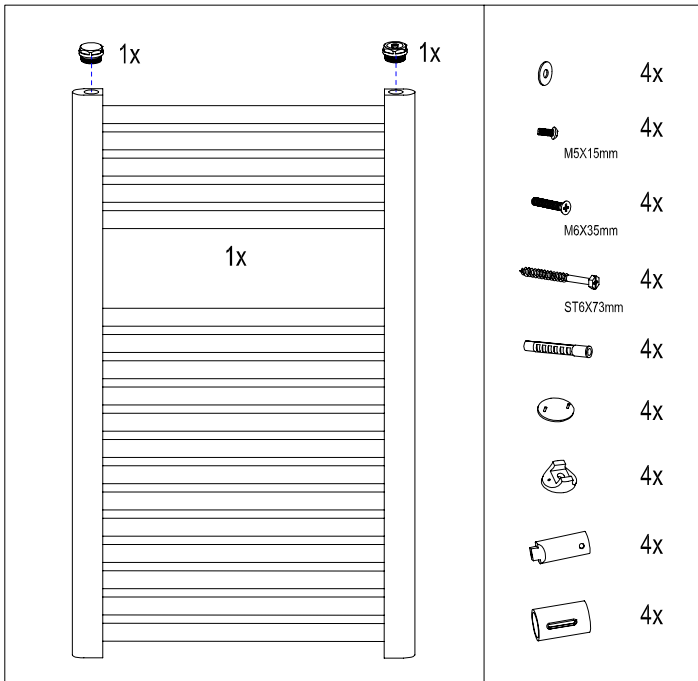


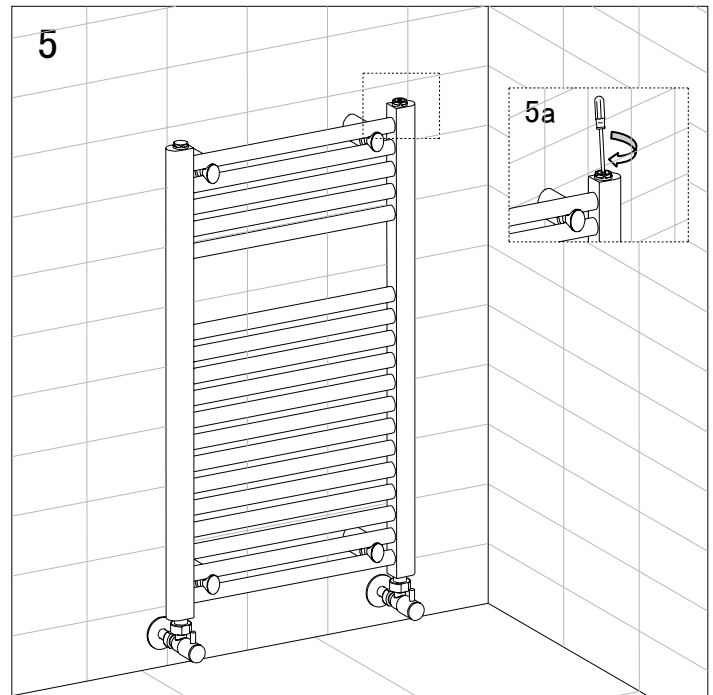
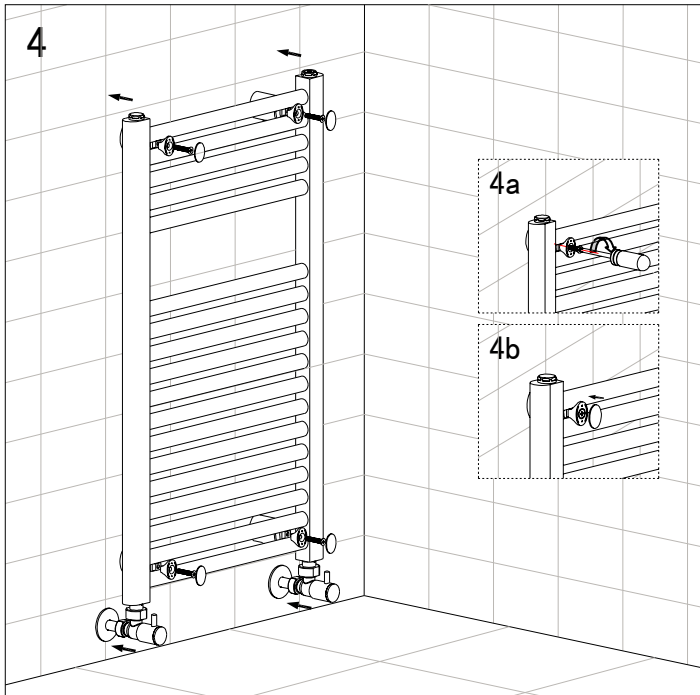
**parts required**



# Optim Alpha Radiator Installation Instruction

- review instructions carefully before installation
- installation should be completed by a suitably qualified person
- please dispose of packaging in a responsible manner





#### After installation ...

- Use a screwdriver to open the air vent, open the inlet valve and let the water rush into the radiator. Check all connections for leaks.
- Once water overflows from the air vent, there is no air in the tube.
- Use a screwdriver to close the air vent. Turn on the outlet valve and the radiator is ready for use.

#### Maintenance...

- The outside of the towel warmer can be cleaned using warm soapy water. Do not use scouring powders or acid based products as these could damage the finish.
- It is recommended that the unit should be drained if not in use and ambient temperatures are below 0°C (32°F) to prevent damage from the water freezing. Before reusing, flush system with a rust inhibitor to remove any oxidation.
- If the water temperature in the system exceeds 50°C (122°F), please install a warning mark near the radiator to avoid being scalded.
- If the product is not used for a prolonged period (for example spring, summer), ensure the radiator is kept filled with water containing a rust inhibitor to prevent oxidation on the inside of the unit.
- This product should only be used with a maximum pressure of  $P_N \leq 1 \text{MPa}$  (10Kg/cm<sup>2</sup>, 10Bar). Only for use with water. Maximum temperature  $t \leq 100^\circ\text{C}$  (212°F).