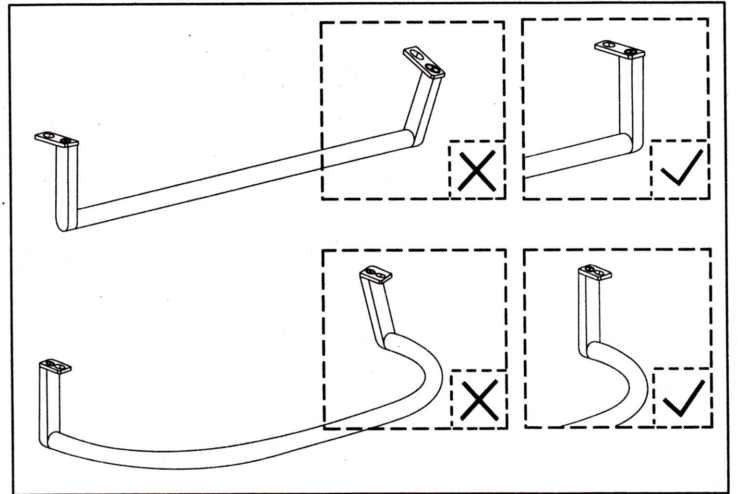
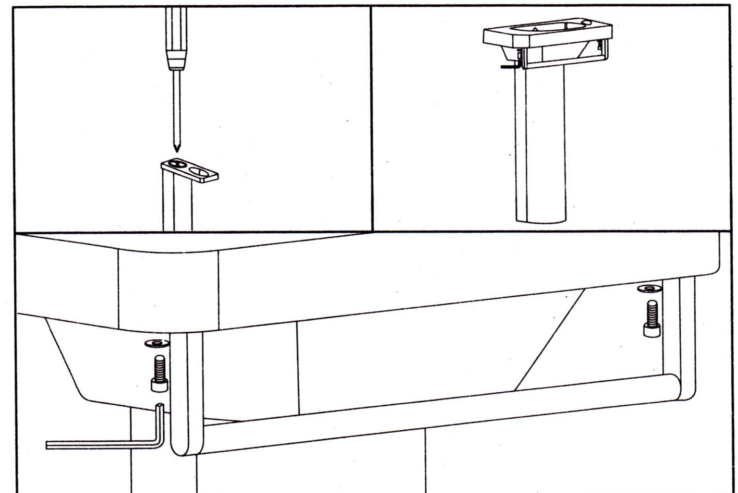


- Please ensure that all towel rail brackets are positioned parallel, and vertical to the towel rail.



- Secure tightly with the supplied Allen key, and remember to leave the key with the householder.



- To remove finger marks from stainless steel simply rub with a soft cloth and a little baby oil.

