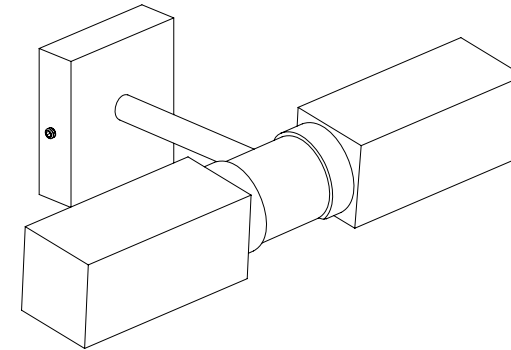


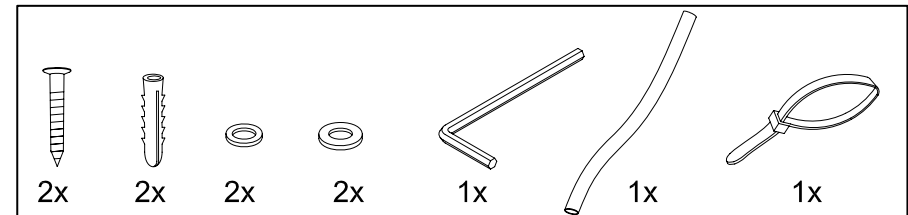


HOTEL SQUARE DOUBLE WALL LIGHT CHROME



44400007020

Polished Chrome & Opal Glass
G9 Lamp

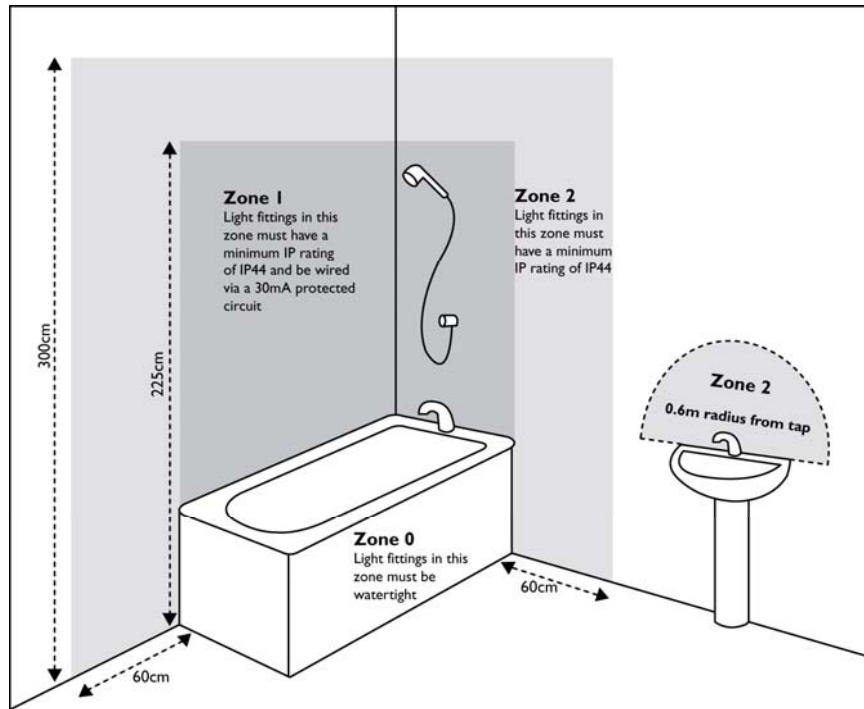


INSTALLATION INSTRUCTIONS

These instructions are provided for your safety.


Please read carefully before commencing work and retain for future reference.

SUITABLE FOR WALL MOUNTING ONLY.



This light is IP44 rated making it suitable for Zone 2

SAFETY INFORMATION

- * We recommend any electrical wiring in the bathroom is carried out by a qualified electrician. All wiring must comply with the current edition of the IEE wiring regulations and relevant Building Regulations.
- * If you are in any doubt consult a person competent to give advice on the installation of electrical equipment.
- * Before installation and servicing disconnect the electricity supply at the fuse board.
- * To avoid damage to concealed wiring during installation, establish the direction of the supply cable before drilling fixing holes.
- * This fitting is rated IP44 and is suitable for use in Zone 2 of a bathroom when fitted in accordance with IEE wiring regulations (see diagram above). The fitting should be connected to a supply protected by a 30mA RCD.
- * This fitting is Class I = $\frac{1}{1}$ and should be fitted to a lighting supply (with earth) protected by a 5 amp fuse or equivalent circuit breaker.
- * Always be sure to use the correct type and wattage of lamps as indicated on the fitting.
- * When changing the lamp, always switch off at the mains and allow the old lamp to cool down before handling. Dispose of used lamps carefully.
- * This fitting is designed for use with self-shielded mains voltage halogen lamps only = 
- * Ensure light source is at least 0.5m from surfaces to prevent overheating.

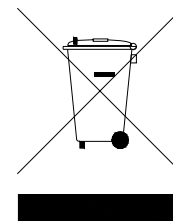
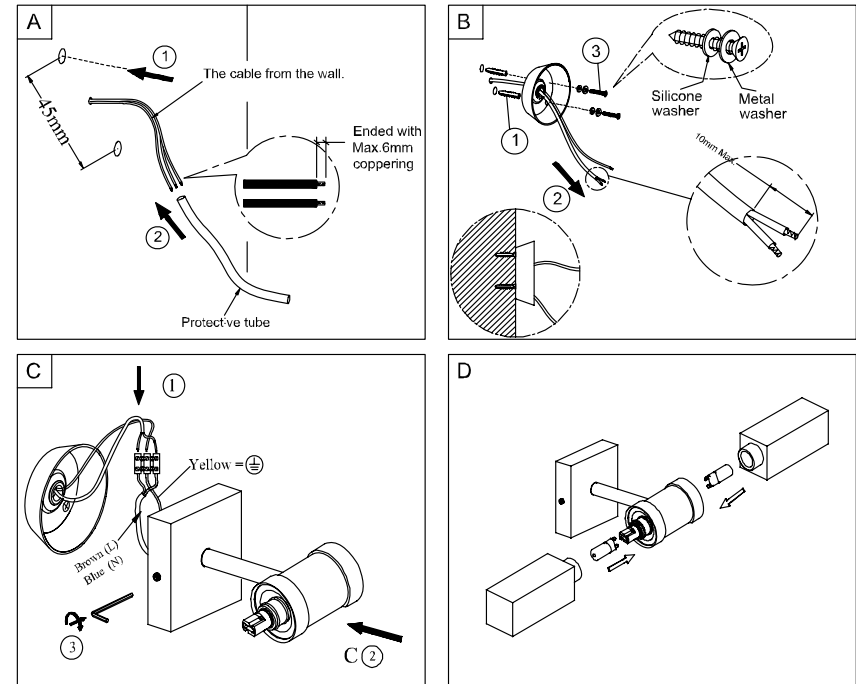
INSTALLATION

1. Ensure the electricity supply is disconnected at the fuse board or consumer unit.
2. Remove backplate from the fitting by undoing 2 retaining screws at the sides of fitting.
3. Using backplate as a template, mark and then drill fixing holes in the wall. Ensure fixing holes are located on a solid or suitable surface.
4. Make a small hole in the rubber grommet in the backplate for cable to pass through. Pass cable from the wall through grommet in the backplate ensuring it makes a good watertight seal around cable. (a protective tube is supplied for protecting the cables from wall, if necessary please apply it)
5. Attach backplate to the wall with suitable screws taking care not to damage wiring. Screw holes must be sealed with silicone washers which are supplied within the screw pack.
6. The weight of the fitting must be supported whilst you make the electrical connections. Electrical connections should be made using connector block inside the fitting.
 Connect supply live (normally brown or red) to terminal block (marked "L" or brown) on fitting.
 Connect supply neutral (normally blue or black) to terminal block (marked "N" or blue) on fitting.
 Connect supply earth (normally yellow) to terminal block (marked "⊕" or yellow) on fitting.

 Ensure electrical connections are tight and no loose strands of wire are left out of the block.
7. Offer fitting to backplate ensuring wires are clear of backplate edge. Firmly push the fitting against backplate then secure in place with 2 retaining screws removed earlier.
Note –It is important to use the silicone washers supplied to ensure the IP rating of the fitting is maintained.
8. Fit the lamp supplied (220-240V~ 28W G9 self-shielded (anti-explosion) halogen lamp). *If it is necessary, it should only be replaced by the same*

tape. Do not touch the halogen lamp with bare hands as this will shorten its life. **The wattage indicated must not be exceeded.**

9. **To fit glass:** Ensure silicone seal is seated correctly on the glass fitting, hold fitting firmly then push onto lampholder.
10. Switch on the electricity supply at the fuse board.



Waste Electrical & Electronic Equipment Regulations (WEEE) requires that any of our products showing this mark (left) must not be disposed of with other household or commercial waste. Bathstore does not levy any WEEE disposal charges to its customers for affected WEEE related products. To prevent possible harm to the environment or human health from uncontrolled waste disposal, please separate any such product from other waste types and recycle it responsibly at your local facilities. Check with your Local Authority, Recycling Center or retailer for recycling advice.

GENERAL INFORMATION

This fitting is designed for internal use only.

Do not use polish or abrasive cleaner - just a soft dry cloth.