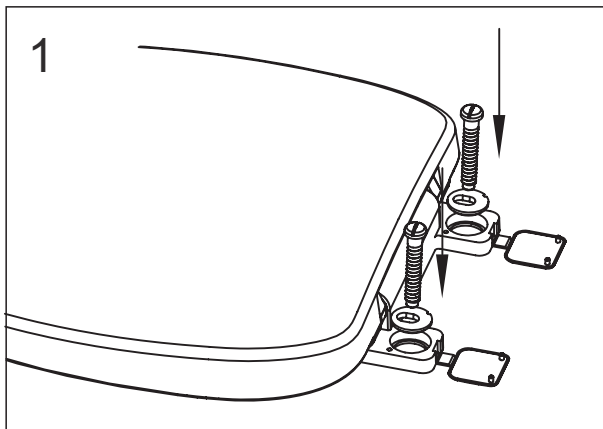
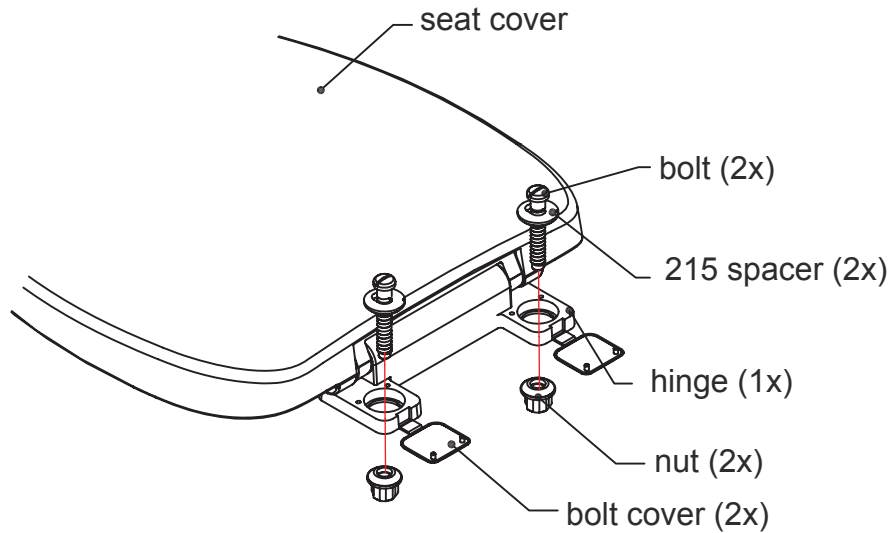
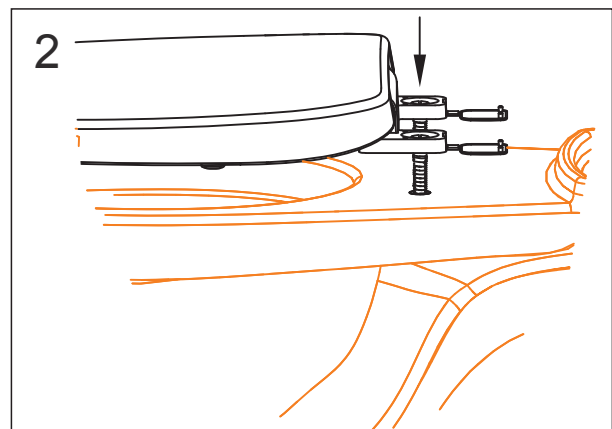


Denver & Monte Carlo Standard Thermoplast Seat Installation Instructions - 41800090220

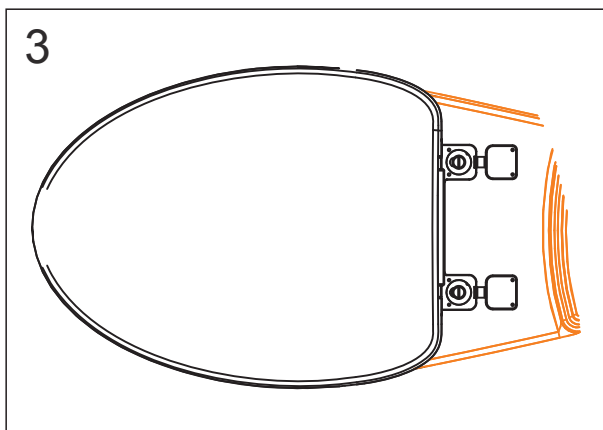
Please read these instructions carefully before installation,
and leave with the end user for care and maintenance.



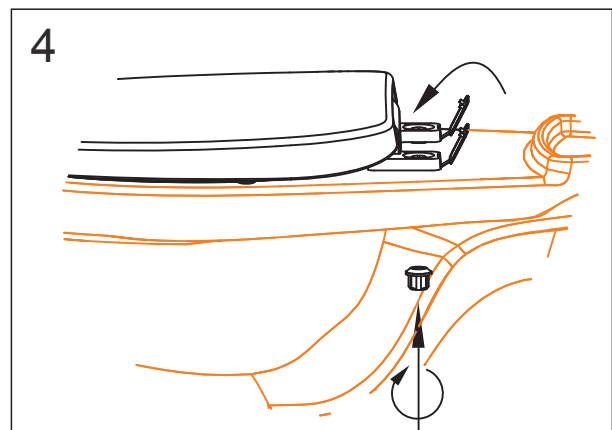
Insert the bolts and spacers into the hinge holes.



Put the seat cover on the pan, and insert the bolts into the fixing hole of the pan.



Adjust the seat cover so that it fits well.



Underneath the pan attach the nuts.
Once the seat cover and pan match, fully tighten the nuts.
Close the bolt covers.

Cleaning: Clean with mild detergent and a soft cloth.

Maintenance: Always ensure the seat is securely fitted to the pan. Inspect regularly for wear and damage as well as for secure fit.