

DBAR Radiator with D Shape Towel Rail Installation Instructions

Product Codes: 41800020060

INSTALLATION INSTRUCTIONS

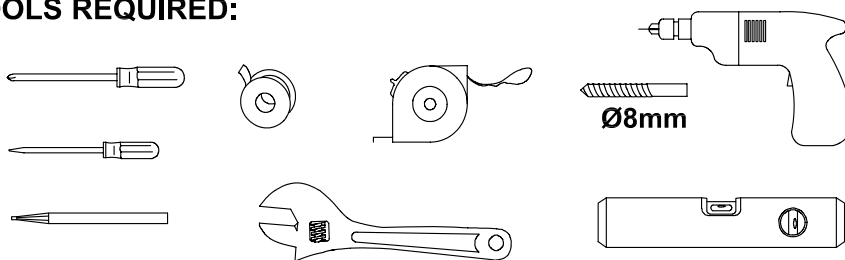
PLEASE NOTE: THE RADIATOR IS MADE FROM STEEL AND WHEN CONNECTED TO CENTRAL HEATING SYSTEMS SHOULD ONLY BE USED ON CLOSED SYSTEMS CONTAINING A RUST INHIBITOR.

- review instructions carefully before installation
- installation should be completed by a suitably competent person
- prior to installation check that all fittings have been supplied
- please dispose of packaging in a responsible manner

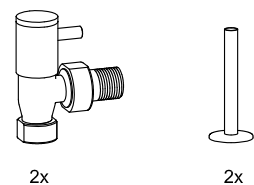
PLEASE NOTE

- This product should only be used at a pressure of less than 10bar, and temperature of less than 100°C.
- It should be filled with a mixture of water and rust inhibitor.
- If the operating temperature is above 48°C a sign warning of the high temperature should be positioned nearby.
- If it is not used for a period during which the room temperature drops below 5°C please drain to prevent rusting.
- Check fittings regularly to ensure safety and to maximise the life of the radiator.

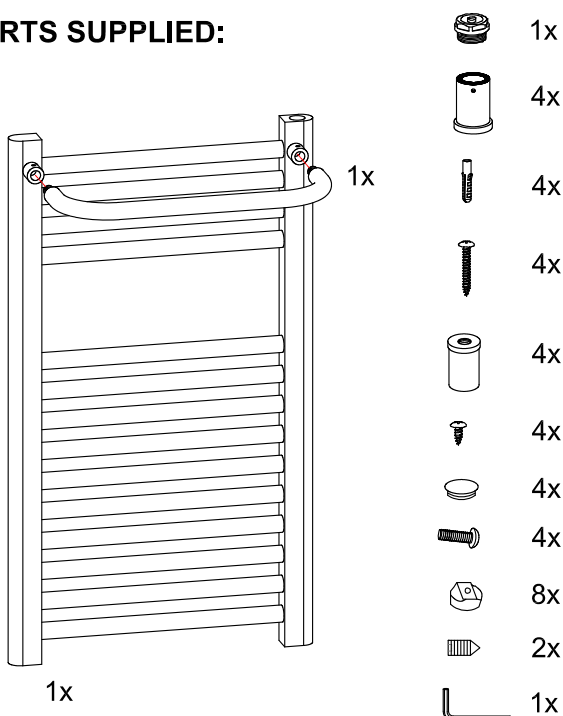
TOOLS REQUIRED:



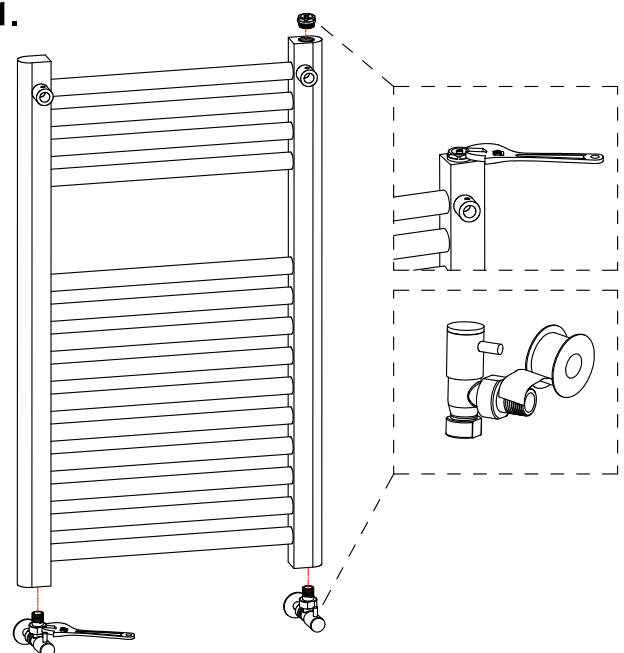
PARTS REQUIRED:



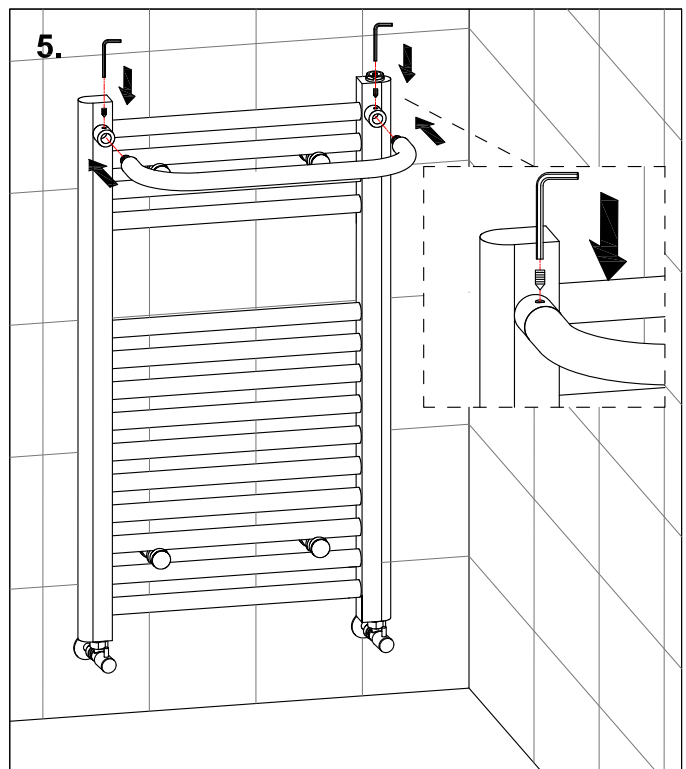
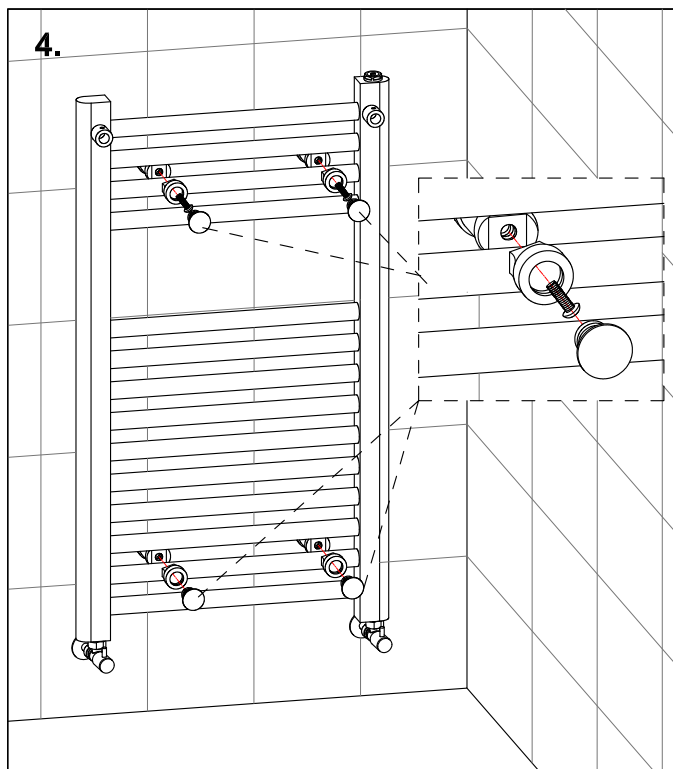
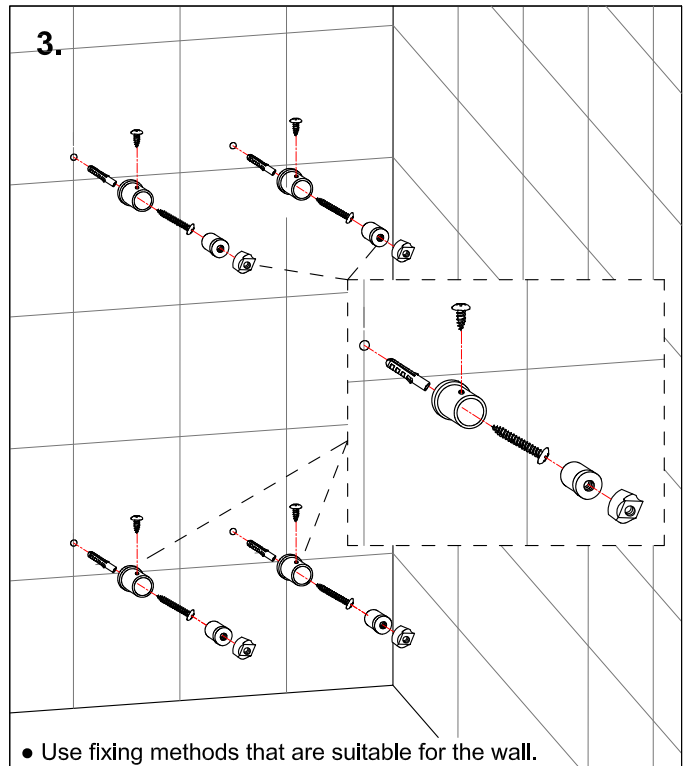
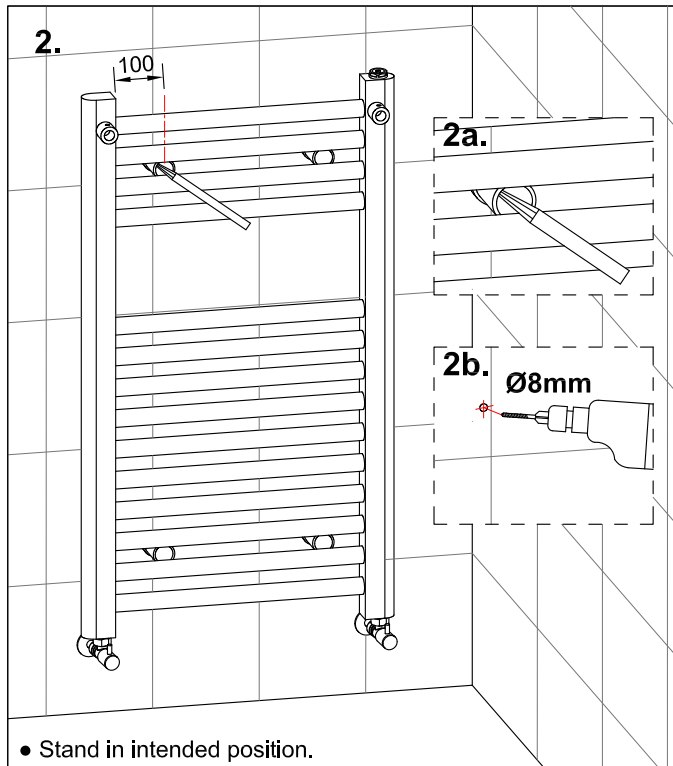
PARTS SUPPLIED:



1.



• Using a cloth to prevent scratching, tighten with a spanner.



AFTER INSTALLATION ...

- Open valves to fill the radiator.
- Unscrew the air vent with a screw driver to allow air to escape.
- Close the air vent when water starts coming out.
- Check all connections for leaks.

AFTER CARE ...

This radiator is made from chrome plated steel, and should be cleaned with warm water and a mild detergent, and should not be cleaned with corrosive or scouring agents.