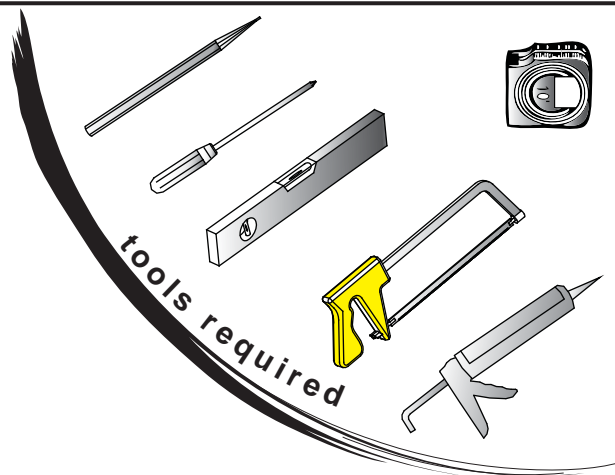


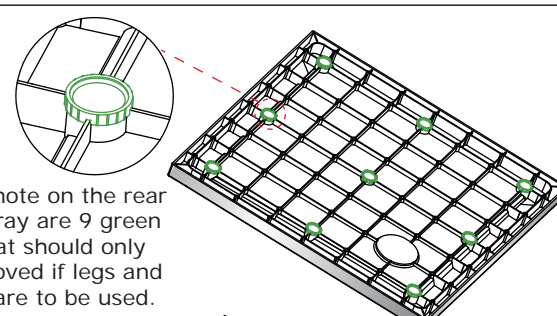
SHOWER TRAY INSTRUCTION

40mm Square Shower Tray

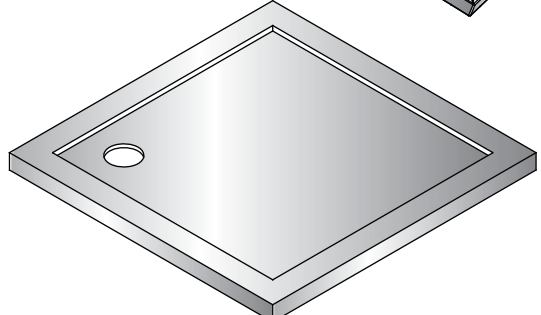


ON FLOOR INSTALLATION

①

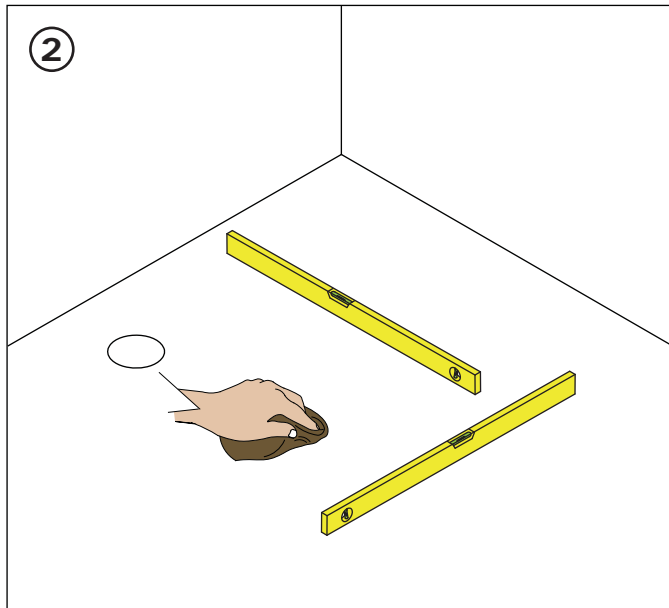


Please note on the rear of the tray are 9 green caps that should only be removed if legs and panels are to be used.



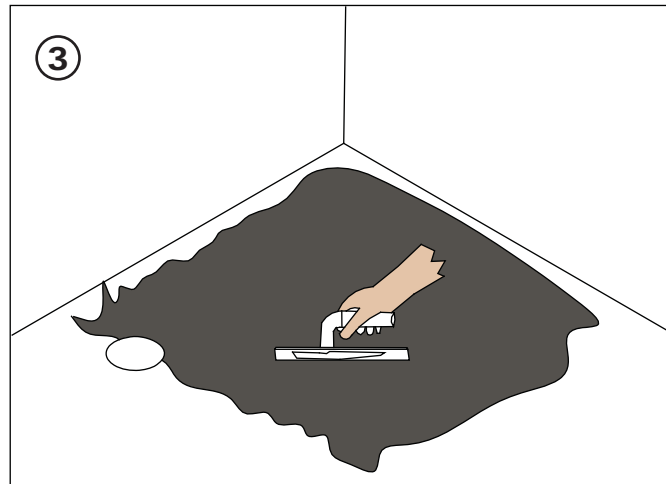
Remove protective plastic film from the areas near the waste and those sides of the tray which will be against a wall.

②



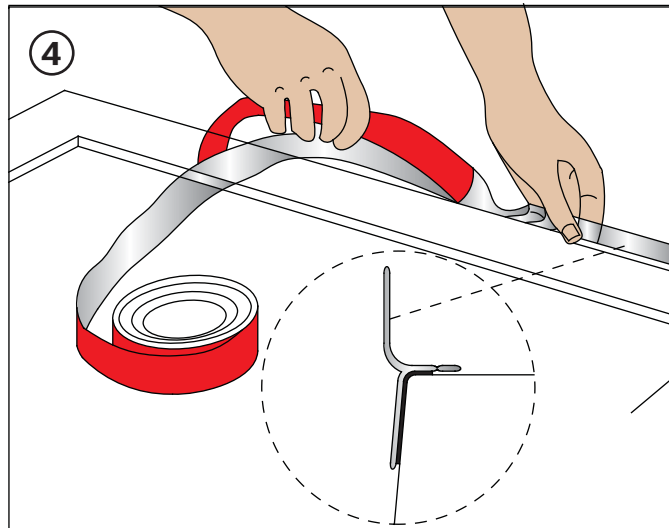
Ensure that the location of the shower tray is firm, level, and clean.

③



Install the shower tray on a 15mm depth of weak cement mix (sand/cement ratio 5:1). Tile adhesive can be used as an alternate to sand or cement. Please note if using water based adhesives, to enhance the bonding it is suggested that a suitable primer is applied to the base of the shower tray before installation.

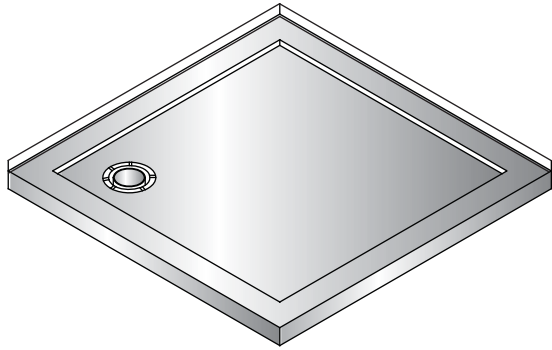
④



It is recommended that the 'easyseal' water sealing strip should be installed at the sides against wall. For the detailed installation method, please refer to the "Waterproof Sealing Strip instruction".

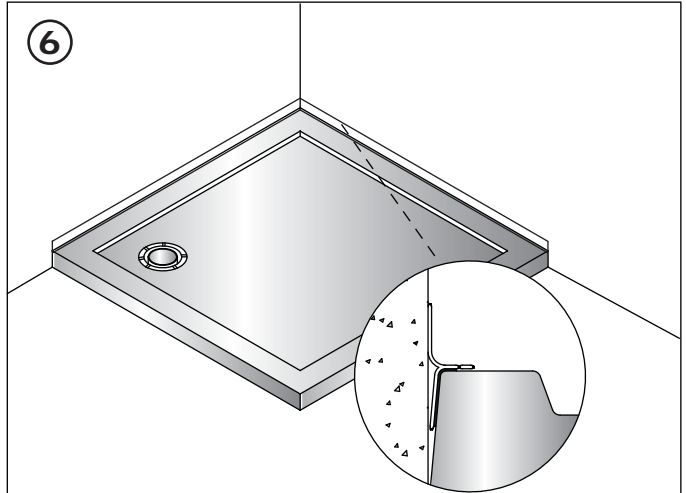
ON FLOOR INSTALLATION

5



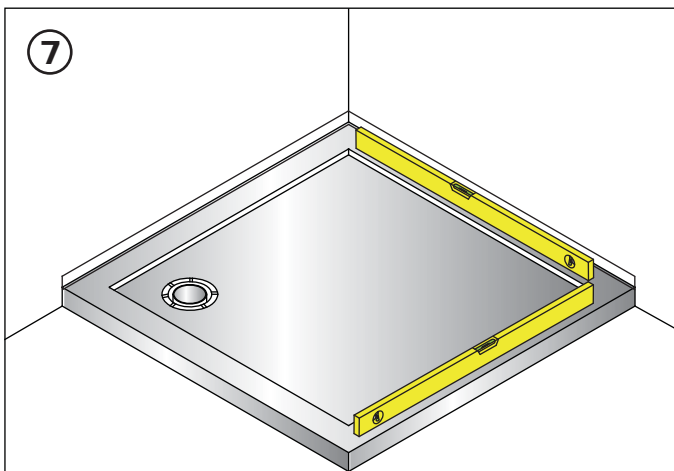
Fit the shower tray waste.

6



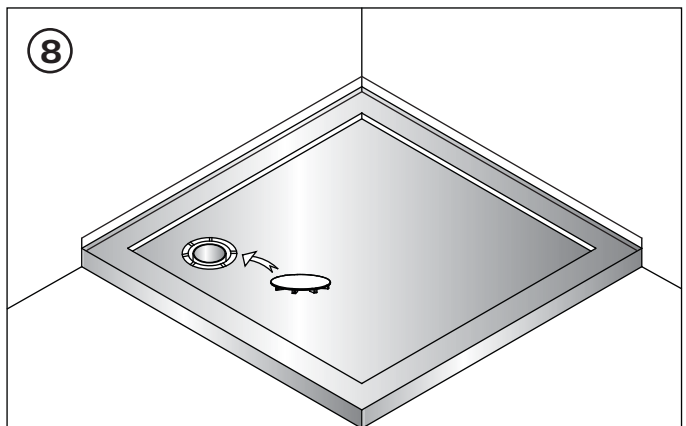
Ensure the 'easysel' water sealing strip is flat to the wall. Place the shower tray onto the cement bed and apply gentle pressure with the palm of the hand to bed the tray into position.

7



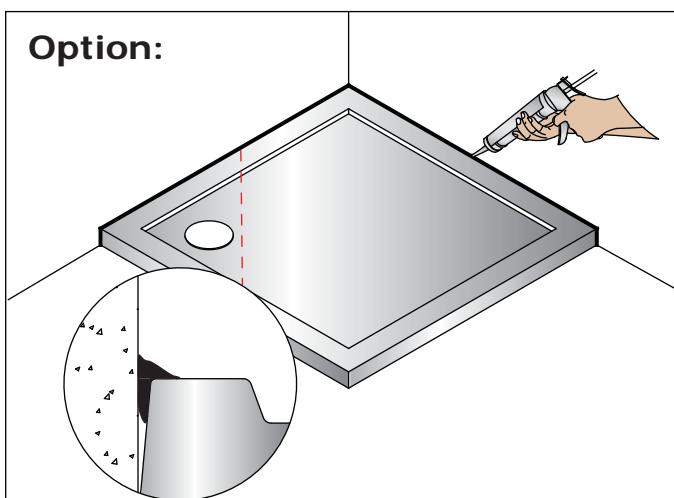
Level the tray and allow to set.

8



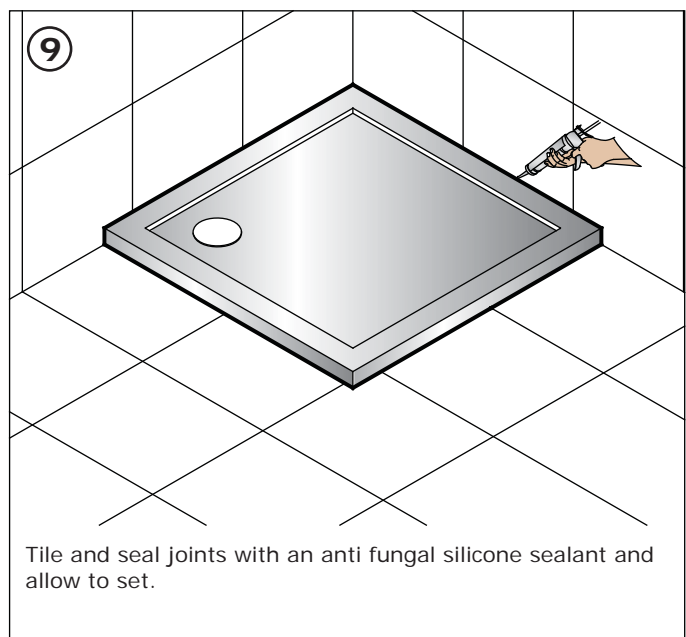
When shower tray is set remove the remainder of the protective plastic film and connect the waste pipe and check for leakage.

Option:



* If the 'easysel' water sealing strip is not installed, please seal joints between tray and wall with an anti fungal silicone sealant and allow to set.

9



Tile and seal joints with an anti fungal silicone sealant and allow to set.

RAISED INSTALLATION

Parts Supplied:



M5*12mm
6x



6x



9x



1x



1x

1

Turn the tray over and use the cardboard packaging as a protective mat. Remove the green caps, and insert the feet to the indicated positions.

2

Screw the panel clips into position on the side that the panels will be attached.

3

All feet should be adjusted to 100mm.

4

Turn the tray over. Remove protective plastic film from the areas near the waste and those sides of the tray which will be against a wall.
Fit the shower tray waste.

5

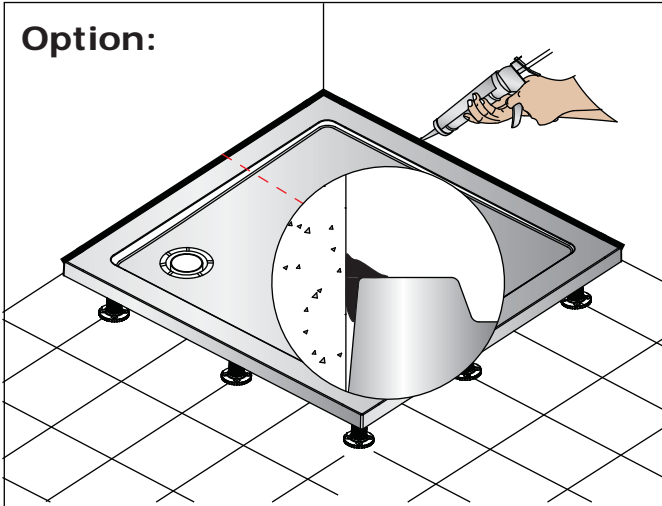
It is recommended that the 'easyseal' water sealing strip should be installed at the sides against wall. For the detailed installation method, please refer to the "Waterproof Sealing strip instruction".

6

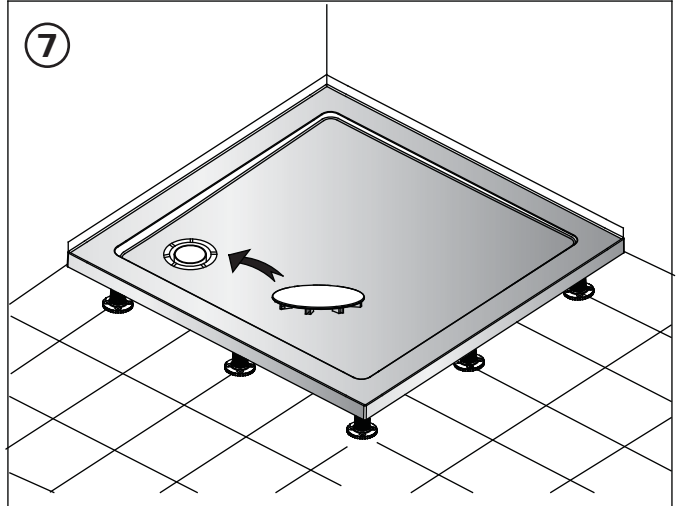
Ensure the 'easyseal' water sealing strip is flat to the wall. Place the tray into position and level both ways using the legs. After the tray has been levelled adjust all the inner feet to stabilise the tray. When level fix these legs to the floor with silicon sealant or 'no more nails' type adhesive.

RAISED INSTALLATION

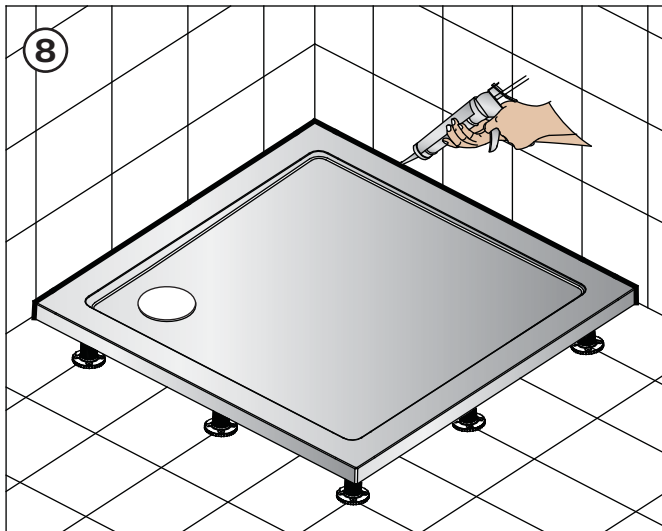
Option:



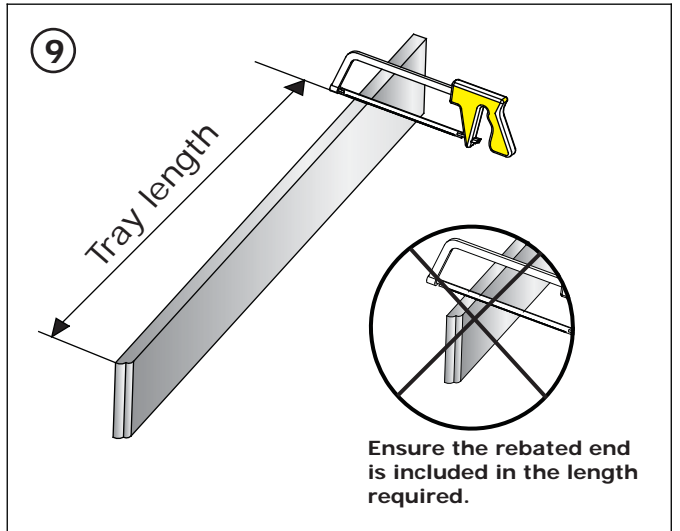
* If the 'easyseal' water sealing strip is not installed, please seal joints between tray and wall with an anti fungal silicone sealant and allow to set.



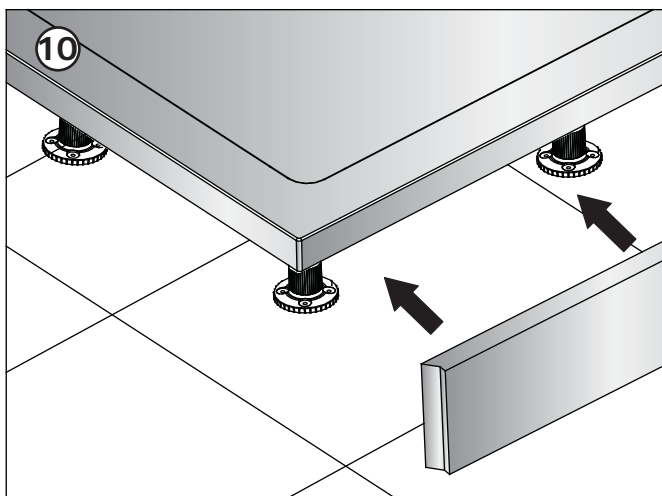
When shower tray is set remove the remainder of the protective plastic film and connect the waste pipe and check for leakage.



Tile the wall and seal joints with an anti fungal silicone sealant and allow to set.



Mark the length of panel required for both edges and cut with a junior or standard hacksaw.



First fix the rebated panel pushing it firmly on to the panel clips. Then fix the remaining panel in the same manner.

