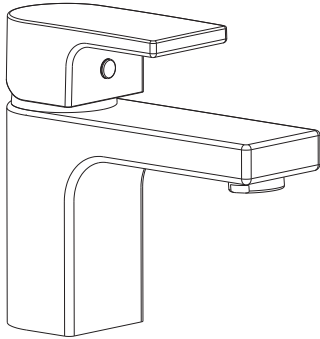


Specification Sheet

Basin Monobloc



Product Specification

Finish: Chrome plated

Construction: Bodies of tap are solid brass castings and the handles are zinc cast

Valve Type: 35mm single lever ceramic disc cartridge

Supply: Suitable for all plumbing system

Inlet Connection: Copper tails

Water Pressure: Range from a minimum pressure of 0.2bar to a maximum pressure of 5bar

Net Weight: 1.44Kg

Guarantee: The product carries a 5 year manufacturer's guarantee, **excluding** the ceramic disc cartridge - this is covered by a 12 month guarantee.

Flow Rates(litres per minute)

System pressure	0.2bar	0.5bar	1bar	3bar
MBPS110N	7.5	11	16	28

We reserve the right to make technical modifications without prior notice