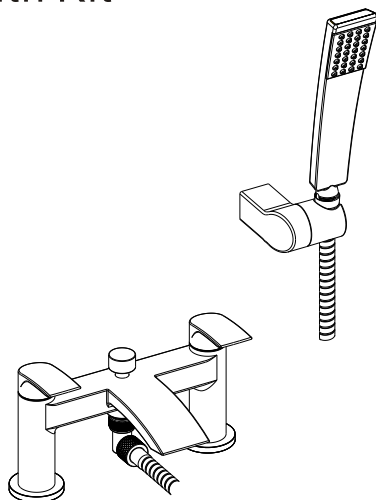


Specification Sheet

Bath Shower Mixer Dual Lever With Kit



Product Specification

Finish:	Chrome plated
Construction:	Bodies of tap are solid brass castings and the handles are zinc cast
Valve Type:	Quarter turn ceramic disc headwork
Supply:	Suitable for all plumbing systems
Inlet Connection:	G3/4" male tail
Water Pressure:	Range from a minimum pressure of 0.2bar to a maximum pressure of 5bar
Net Weight:	2.2Kg
Guarantee:	The product carries a 5 year guarantee, excluding the ceramic (head/cartridge) which is covered by a 12 month guarantee

Flow Rates(litres per minute)

System pressure	0.2bar	0.5bar	1bar	2bar	3bar
MBFW422D	17.7	21.4	32.3	48.3	60

We reserve the right to make technical modifications without prior notice