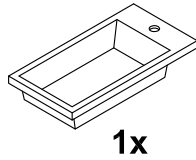


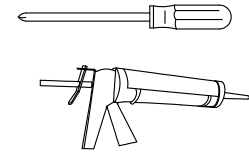
MyPlan™ Slimline 600 1TH Basin No Overflow Instructions

41405004990

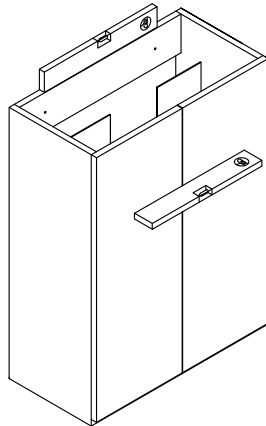
Part Supplied



Tools Required

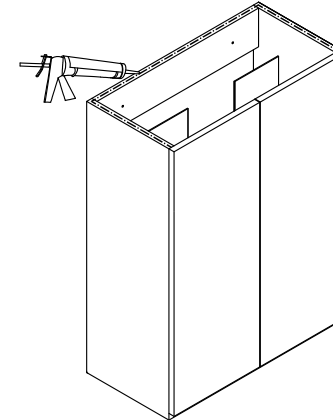


1



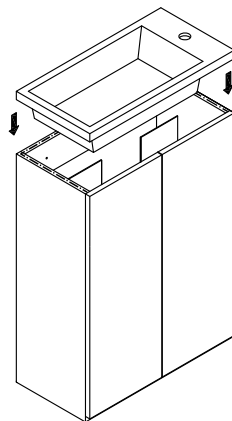
- Make sure that the cabinet is level, and flush.

2



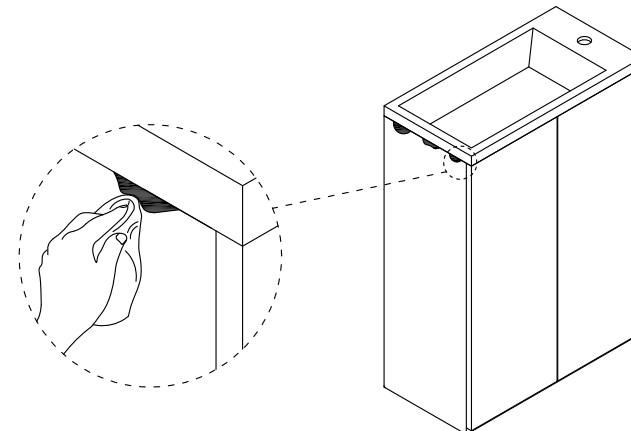
- Place silicon seal to top surfaces where basin sits, and back edge of basin to wall.

3



- Position the basin on the cabinet.

4



- The Basin should be cleaned using soft damp cloth with common detergent. Do not use any abrasive agents.