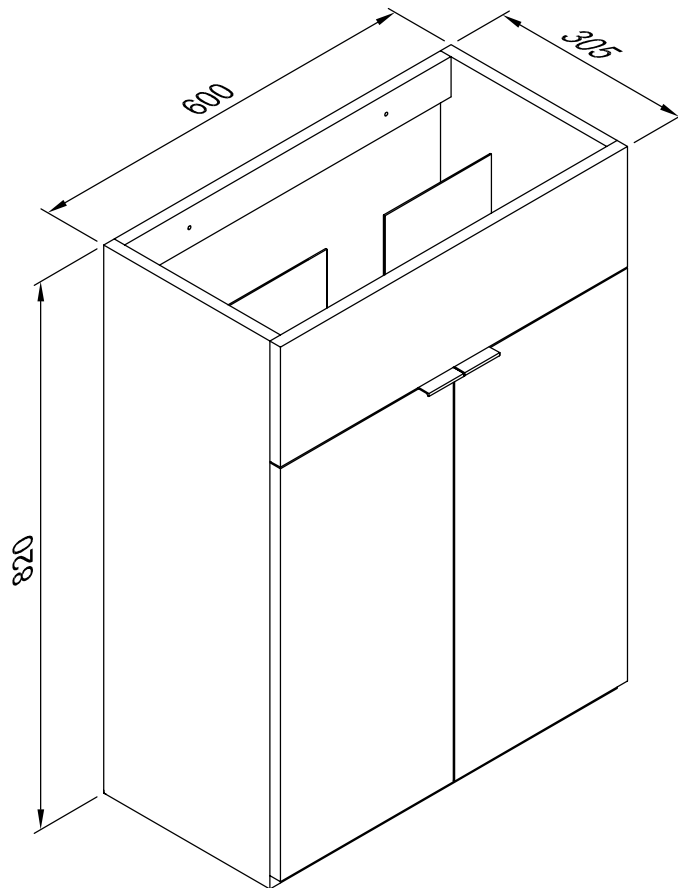


MyPlan 600 Semi Inset Basin Unit Assembly Instructions

41405010740

41405010980

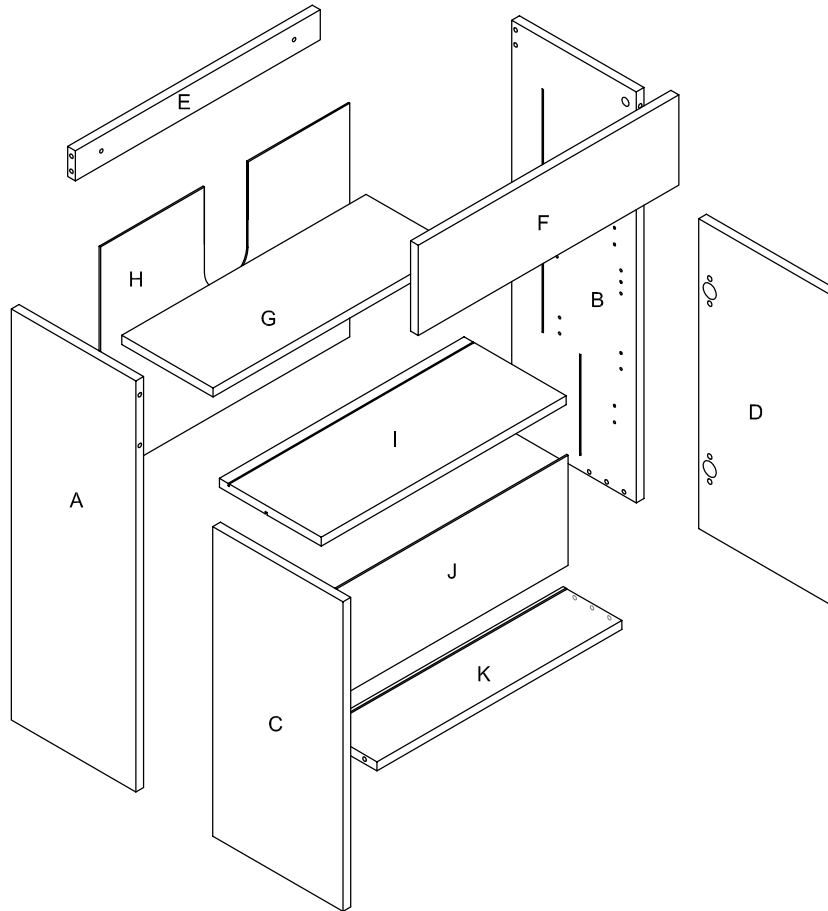
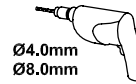
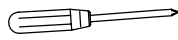
41405011220



Width 600mm

Depth 305mm

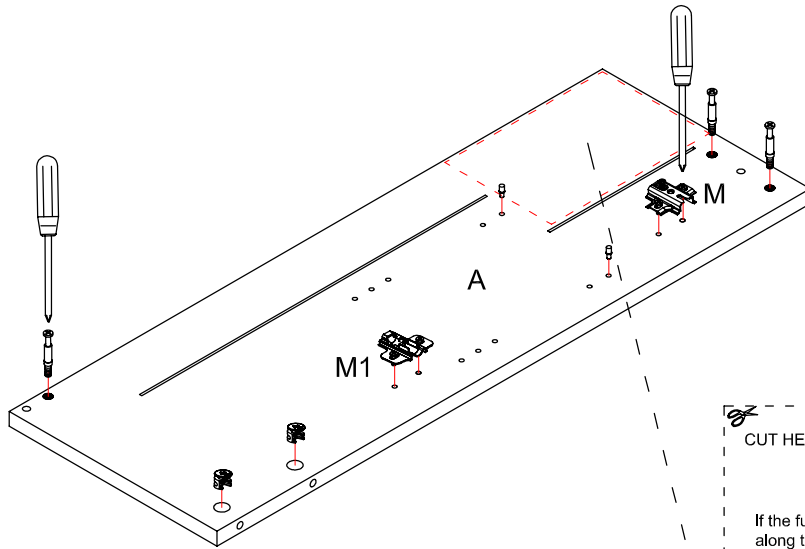
Height 820mm






TOOLS REQUIRED:


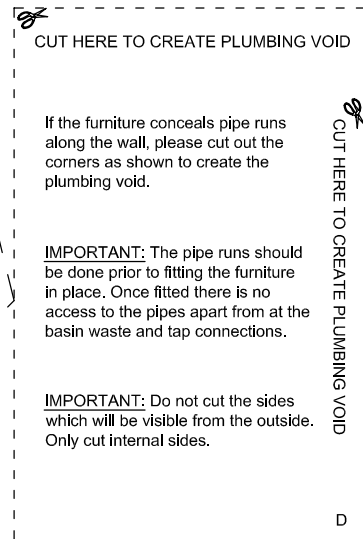
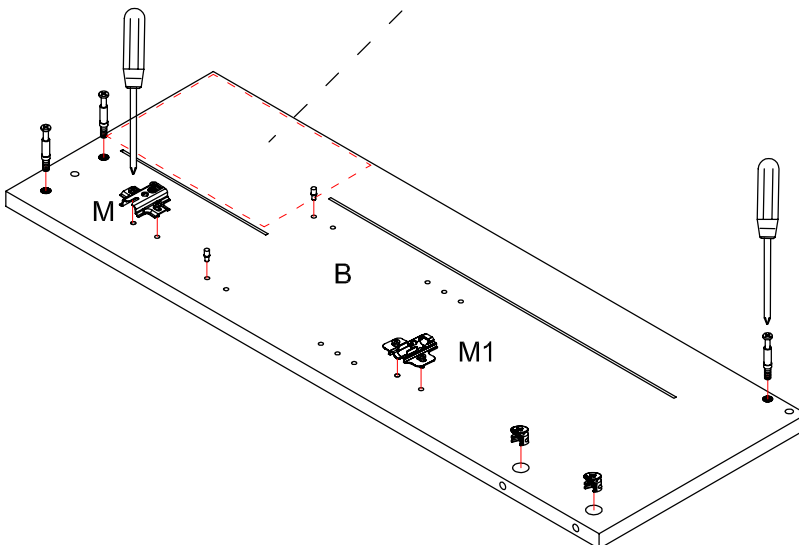
CODE	SIZE (mm)	QTY	CODE	DIAGRAM	QTY
A	820 x 285 x 16 (LH)	1	L		10
B	820 x 285 x 16 (RH)	1	M		2
C	620 x 296 x 18	1	M1		2
D	620 x 296 x 18	1	N		10
E	568 x 60 x 16	1	O		4
F	600 x 180 x 18	1	P		2
G	567 x 210 x 16	1	Q		8
H	576 x 466 x 3	1	R		2
I	568 x 234 x 16	1	R1		2
J	576 x 220 x 3	1	S		2
K	568 x 134 x 16	1	T	ST4 * 14mm	4
			U		8
			V		2
			W	ST5 * 50mm	2
			X		1
			Y		8






Step 1:

If the furniture conceals pipe runs along the wall, please cut out the corners as shown to create the plumbing void before assembly.

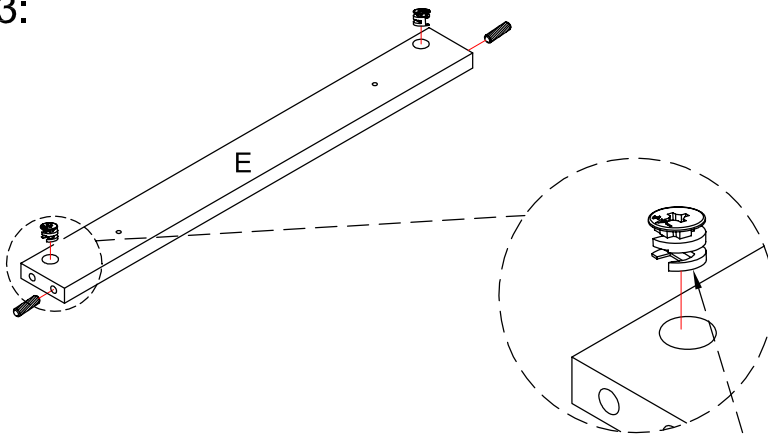




CODE	SIZE/DIAGRAM	QTY
A	820 x 285 x 16	x1
L		x3
N		x2
M		x1
M1		x1
Q		x2


Step 2:


CODE	SIZE/DIAGRAM	QTY
B	820 x 285 x 16	x1
L		x3
N		x2
M		x1
M1		x1
Q		x2

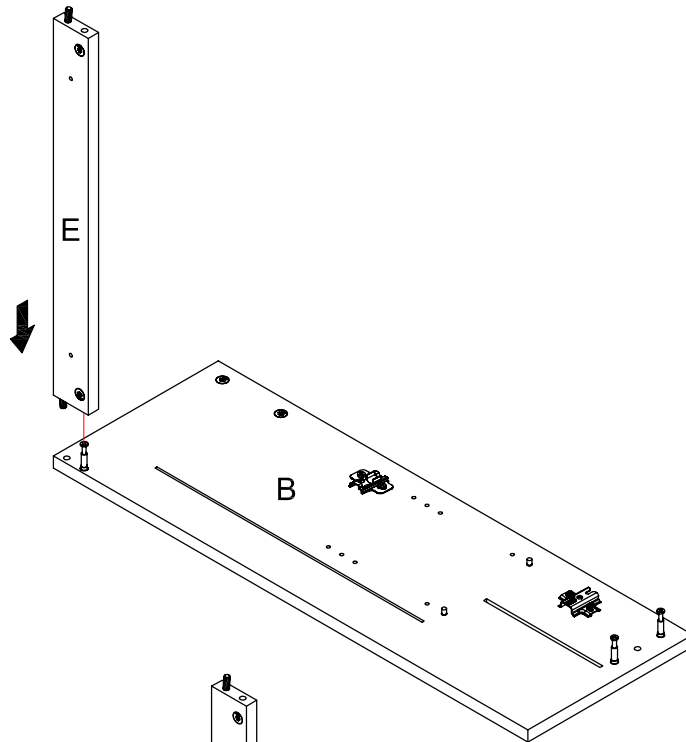
Step 3:



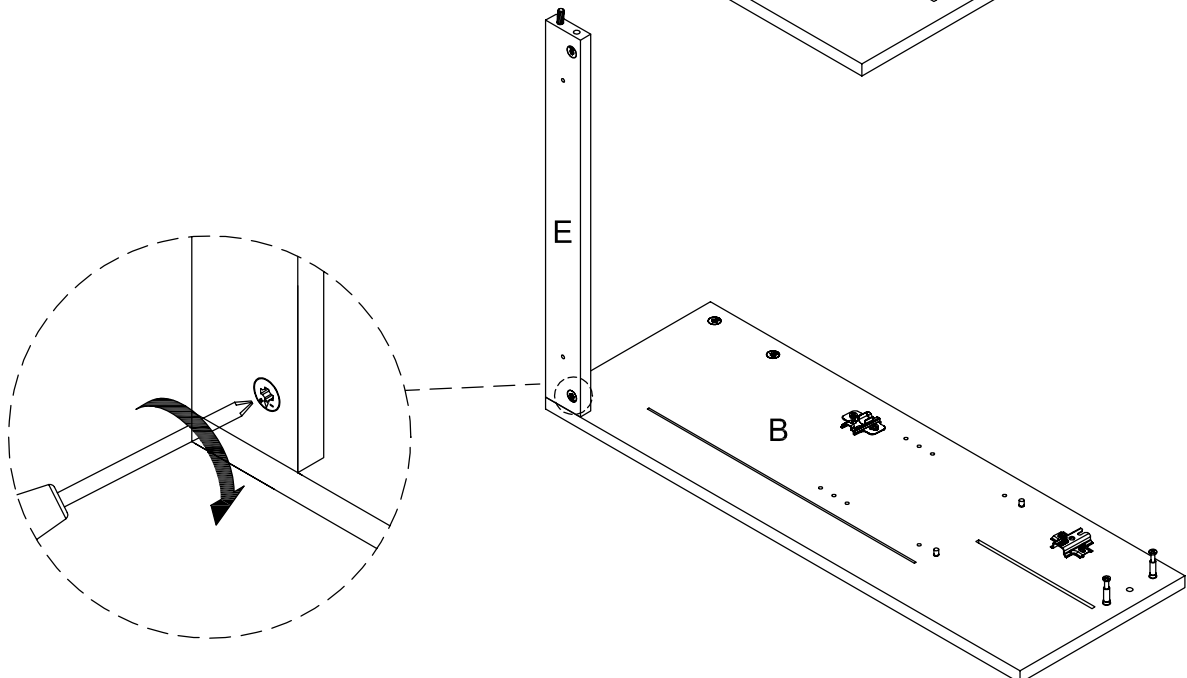
CODE	SIZE/DIAGRAM	QTY
E	568 x 60 x 16	x1
O		x2
N		x2

Step 4:

During assembly the arrow stamped on part (N) should point towards the screw hole.

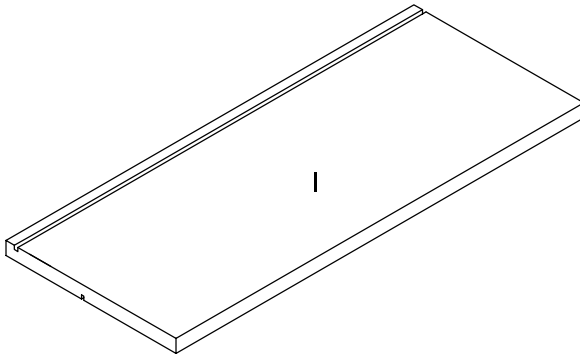


Step 5:





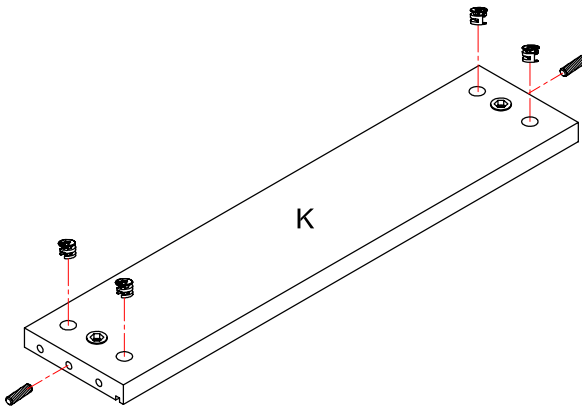
Step 6:

CODE	SIZE/DIAGRAM	QTY
I	568 x 234 x 16	x1



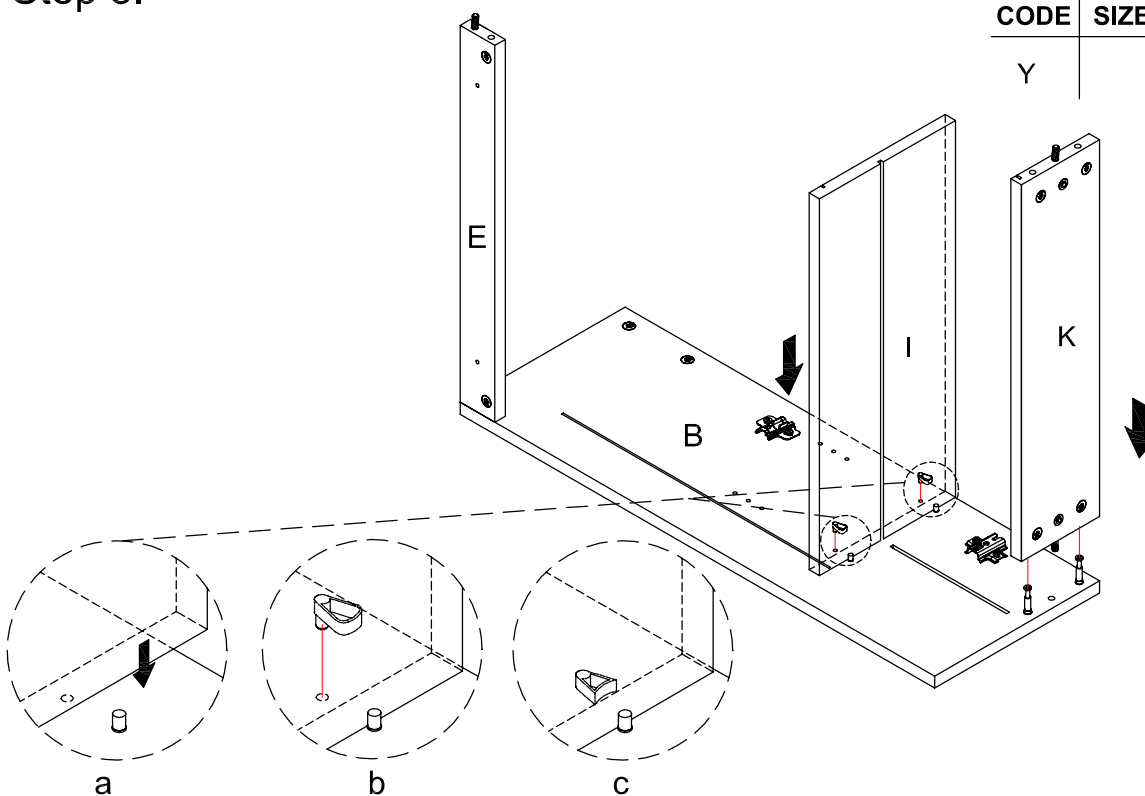
Step 7:

CODE	SIZE/DIAGRAM	QTY
K	568 x 134 x 16	x1
O		x2
N		x4



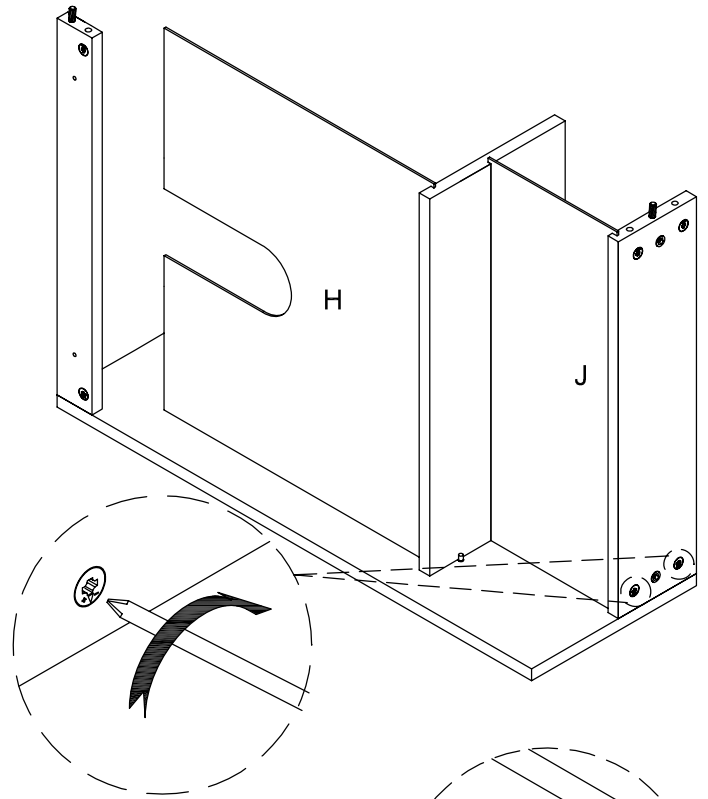
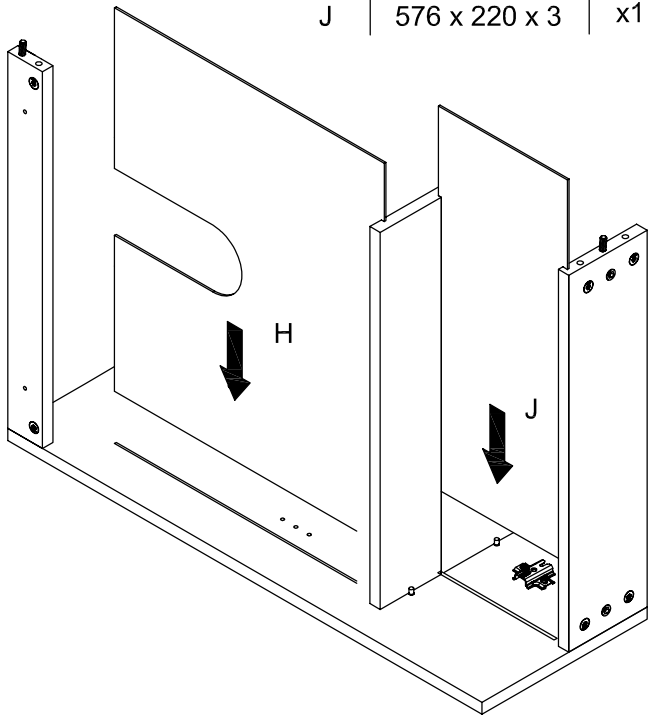
Step 8:

CODE	SIZE/DIAGRAM	QTY
Y		x2

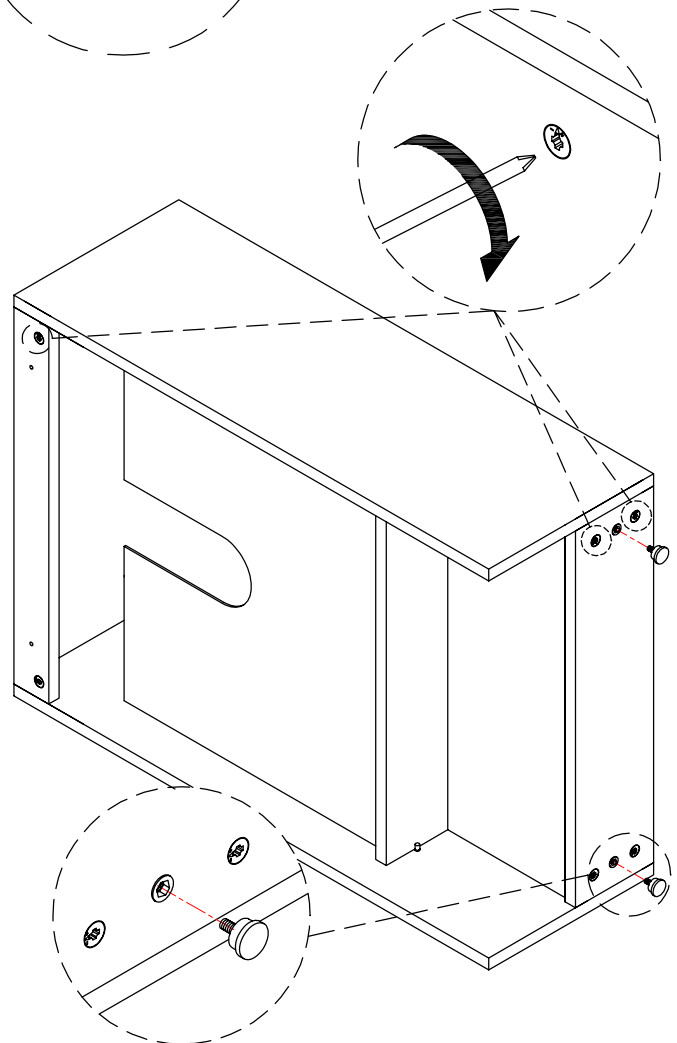
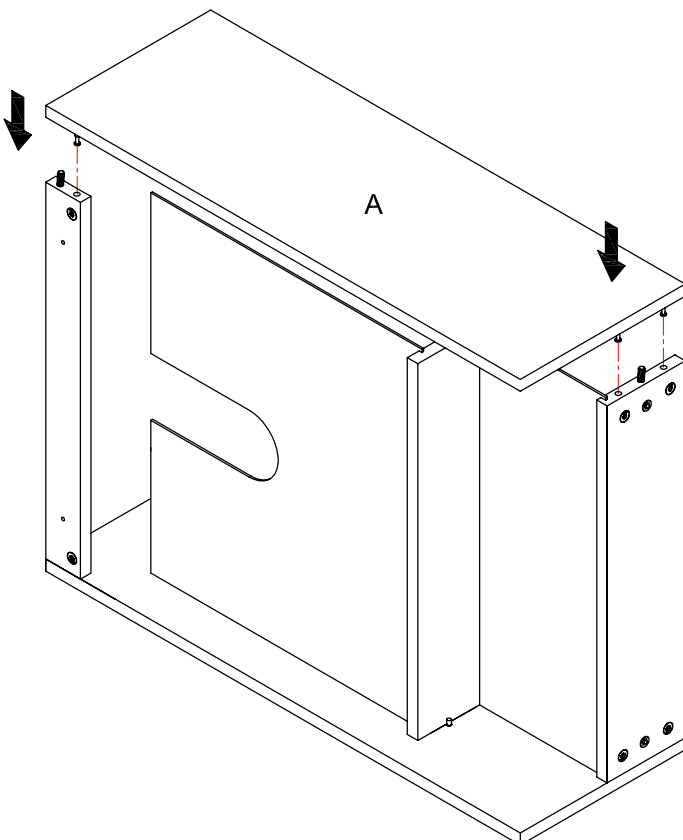


Step 9:


CODE	SIZE/DIAGRAM	QTY
H	576 x 466 x 3	x1
J	576 x 220 x 3	x1

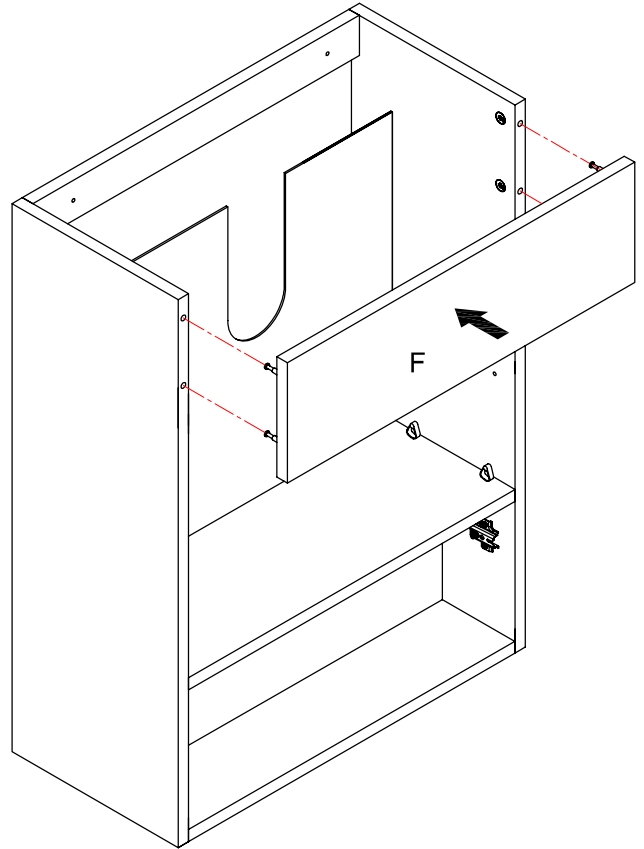
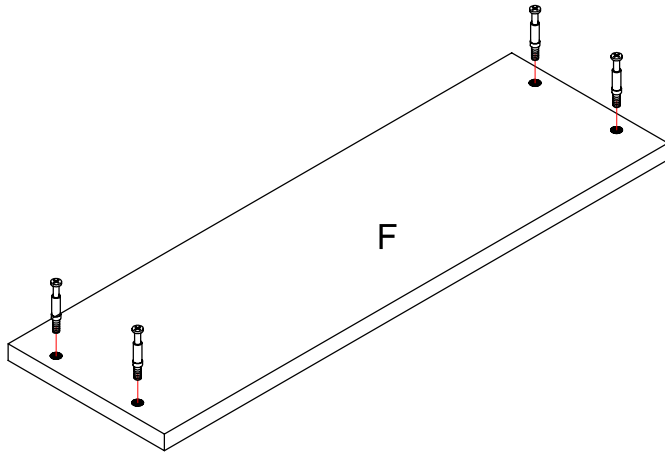
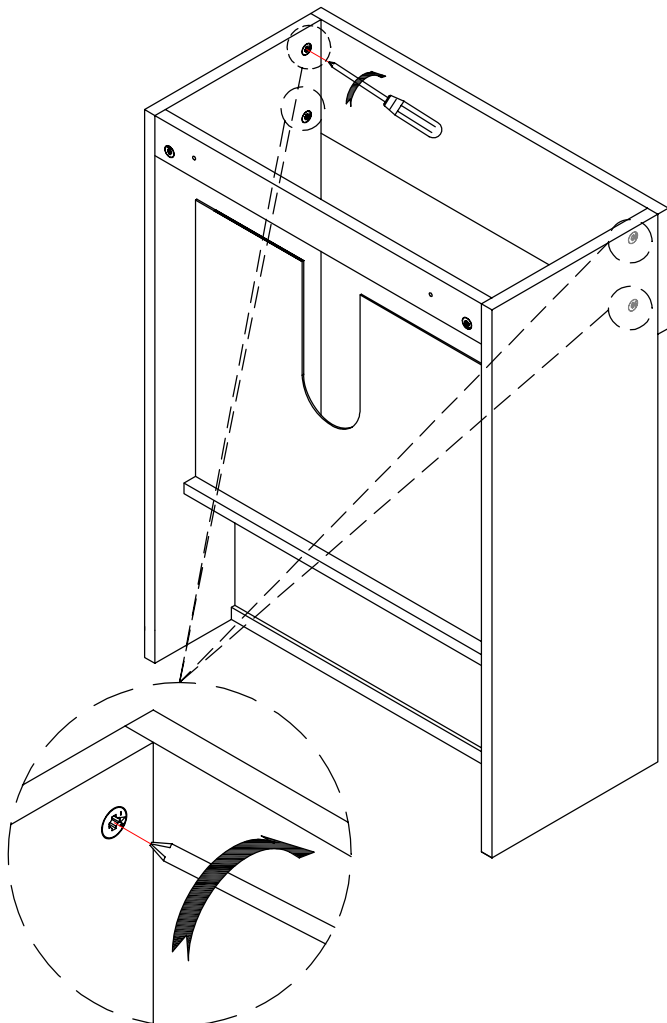

Step 10:

CODE	SIZE/DIAGRAM	QTY
P		x2

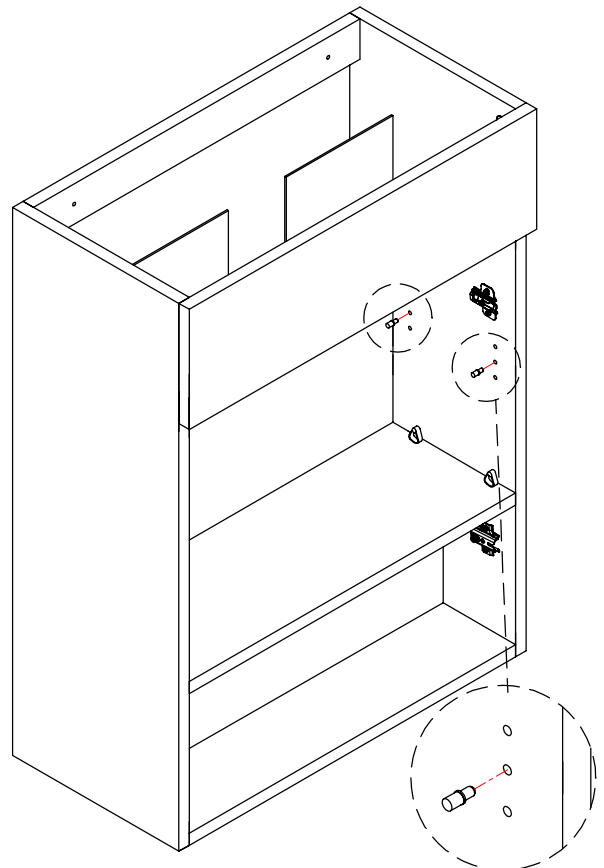


Step 11:

CODE	SIZE/DIAGRAM	QTY
F	600 x 180 x 18	x1
L		x4

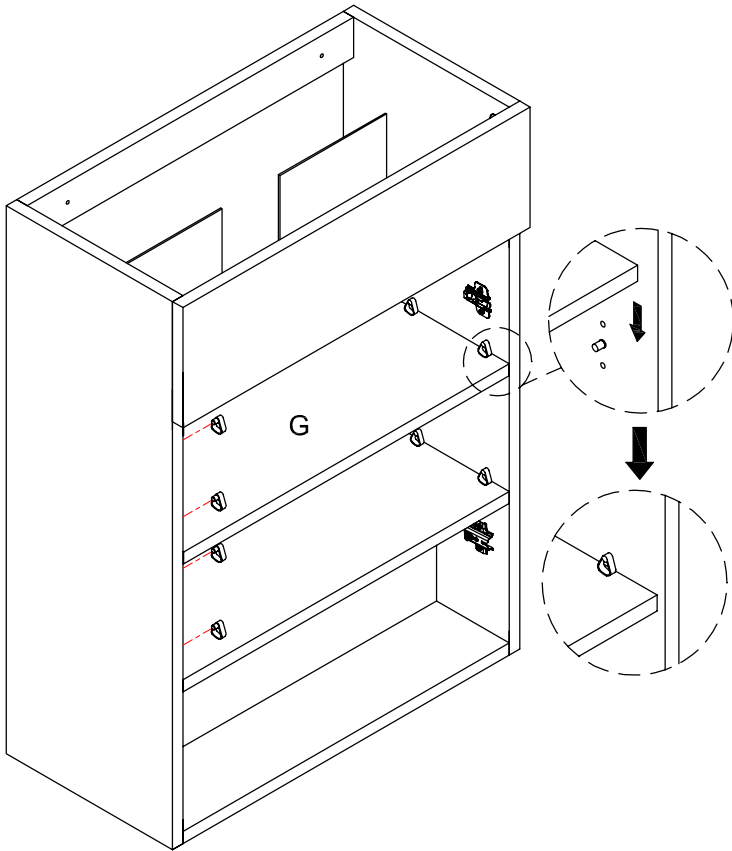

Step 12:

Step 13:

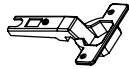


CODE	SIZE/DIAGRAM	QTY
Q		x4



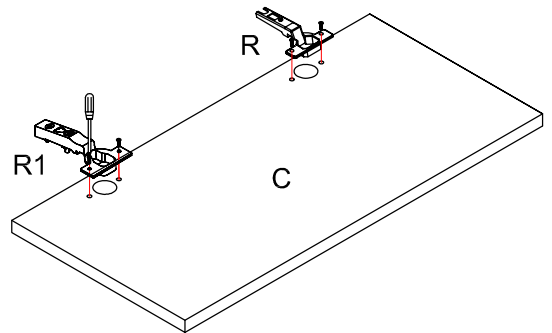
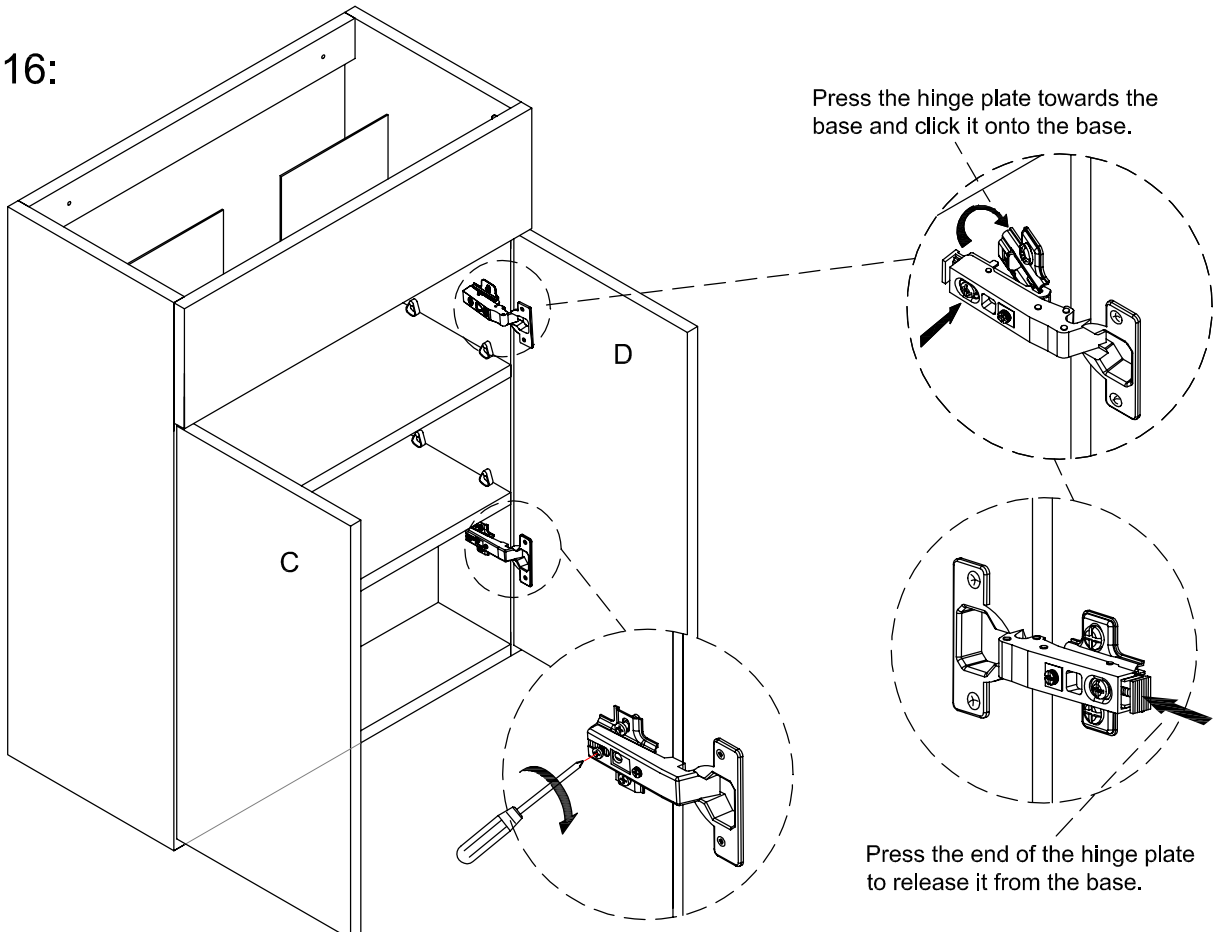
Step 14:

CODE	SIZE/DIAGRAM	QTY
G	567 x 210 x 16	x1
Y		x6


Step 15:

CODE	SIZE/DIAGRAM	QTY
C	620 x 296 x 18	x1
D	620 x 296 x 18	x1
R		x2
R1		x2
U		x8

R1 is the soft close action hinge, and Hinge R is the sprung hinge.

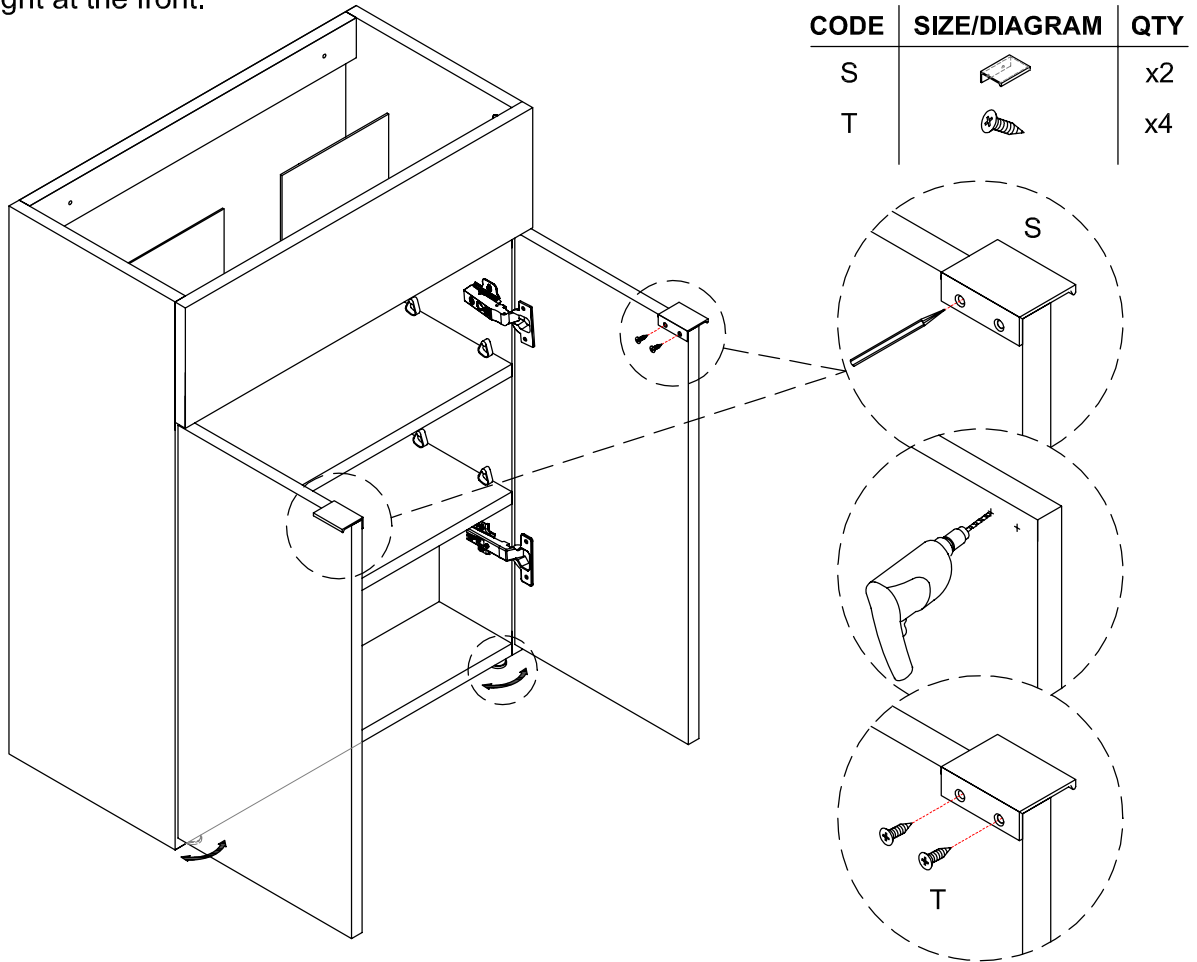

Step 16:


Press the hinge plate towards the base and click it onto the base.

Press the end of the hinge plate to release it from the base.

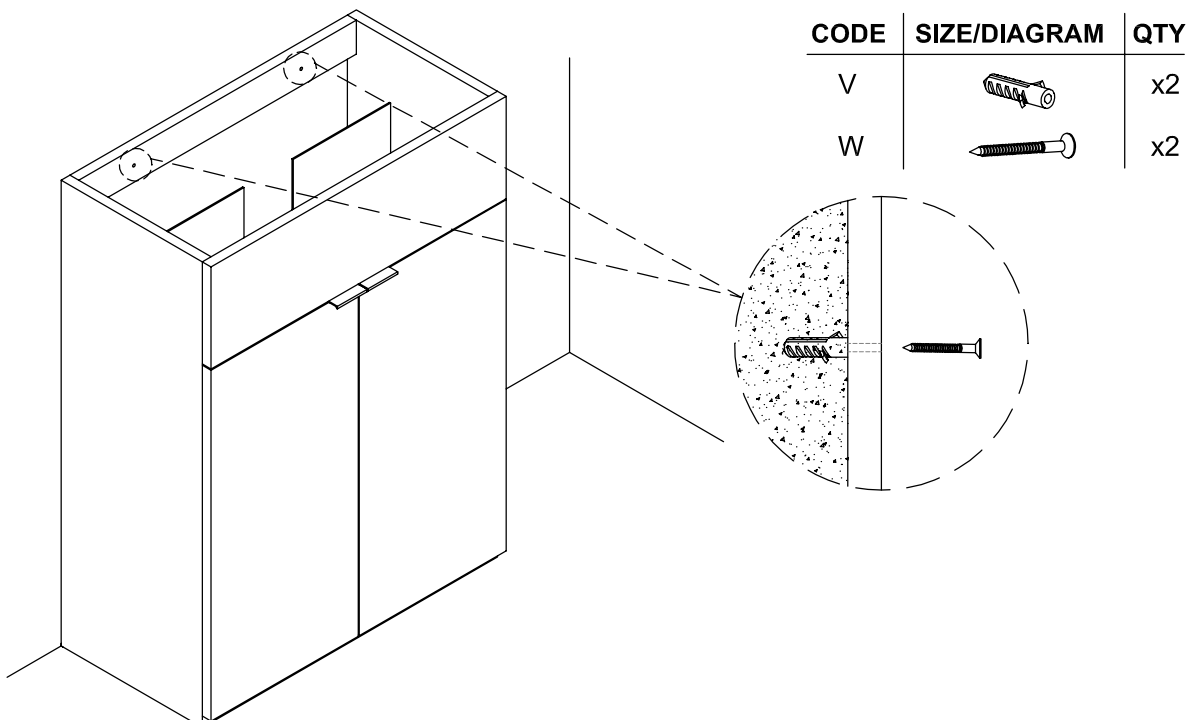
Step 17:

Place the unit in position against the wall. Raise or lower height adjusters (P) to level and achieve desired height at the front.


Step 18:

Ensure that the top is horizontal before marking the wall for fixing.

The wall fixings supplied may not be suitable for your installation. You may need to source alternatives depending on the material and strength of the wall you are fixing to.



Maintained if it is wiped with a dry cloth after use. It should only be cleaned using a soft damp cloth followed by a dry cloth. Do not use bleach or any abrasive cleaner.