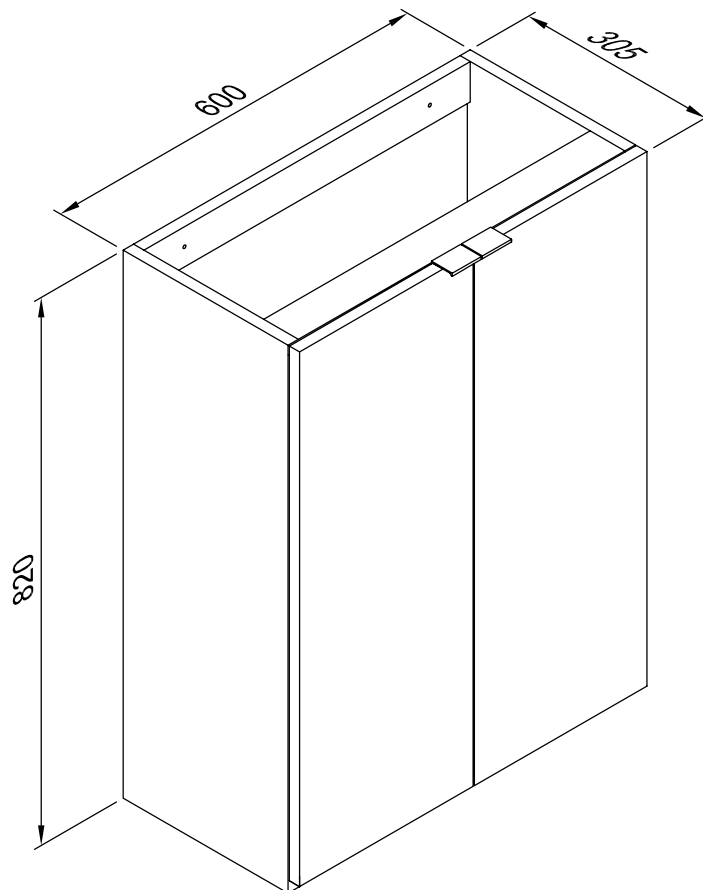


MyPlan 600 Base Unit Assembly Instructions

41405010800

41405011040

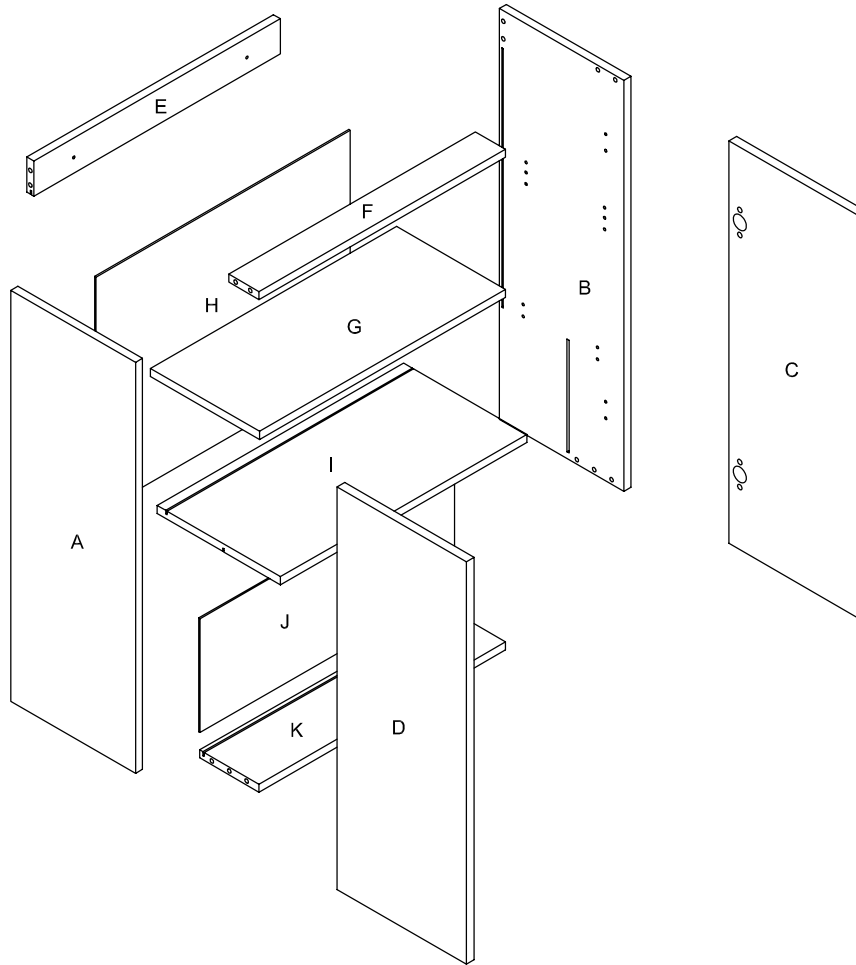
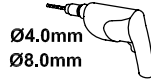
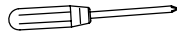
41405011280



Width 600mm

Depth 305mm

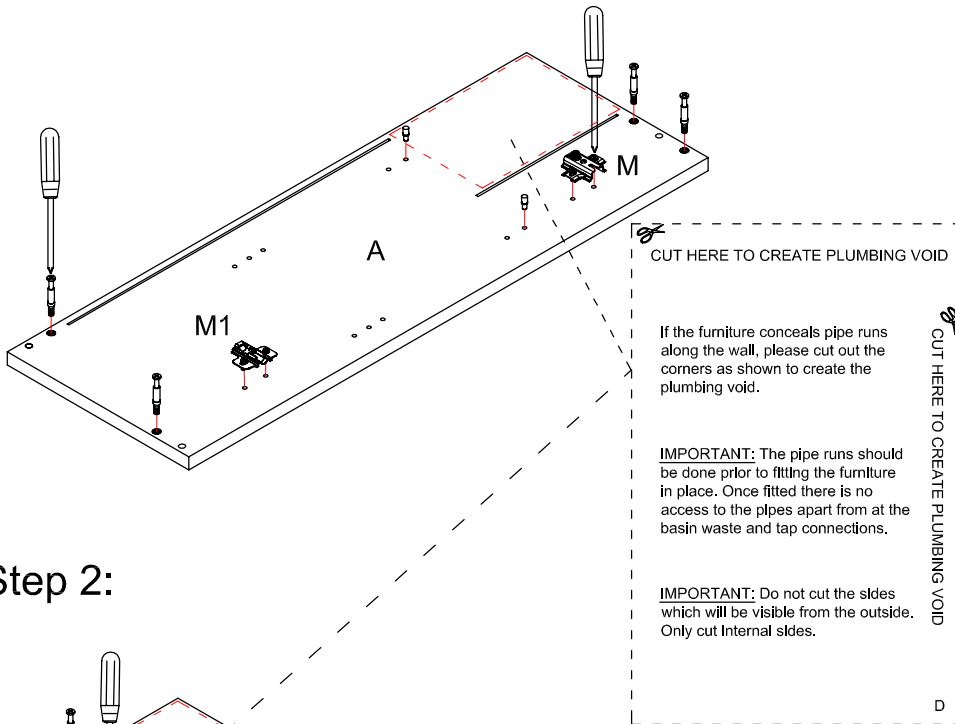
Height 820mm





TOOLS REQUIRED:


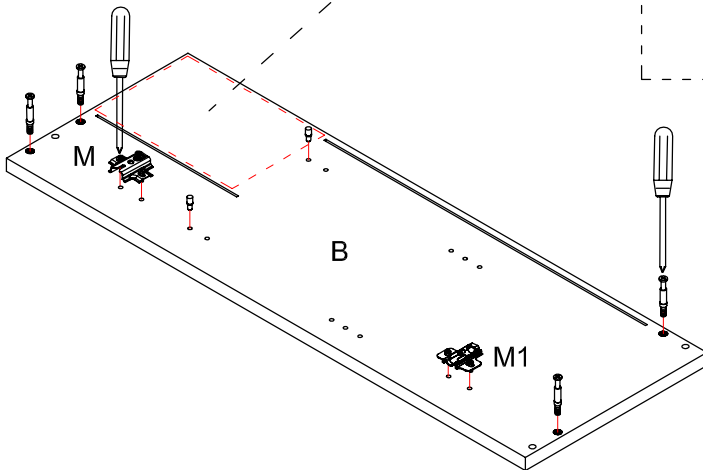
CODE	SIZE (mm)	QTY	CODE	DIAGRAM	QTY
A	820 x 285 x 16 (LH)	1	N		8
B	820 x 285 x 16 (RH)	1	O		6
C	802 x 296 x 18	1	P		2
D	802 x 296 x 18	1	Q		8
E	568 x 60 x 16	1	R		2
F	568 x 60 x 16	1	R1		2
G	567 x 272 x 16	1	S		2
H	576 x 526 x 3	1	T	ST4 * 14mm	4
I	568 x 284 x 16	1	U		8
J	576 x 220 x 3	1	V		2
K	568 x 134 x 16	1	W	ST5 * 50mm	2
L		8	X		1
M		2	Y		8
M1		2			





Step 1:

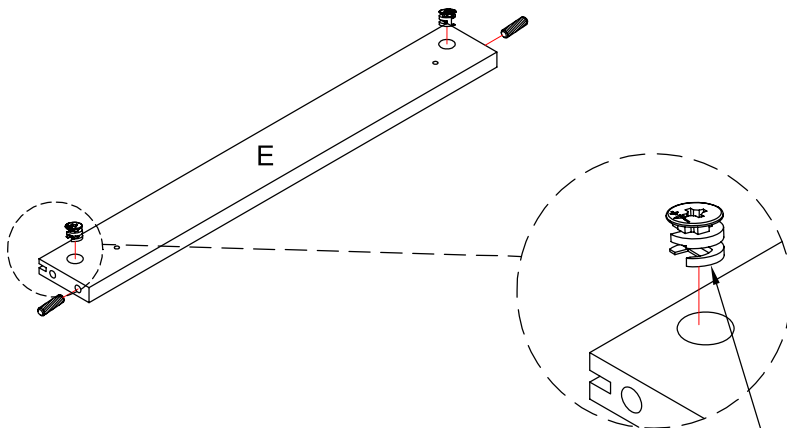
If the furniture conceals pipe runs along the wall, please cut out the corners as shown to create the plumbing void before assembly.





CODE	SIZE/DIAGRAM	QTY
A	820 x 285 x 16	x1
L		x4
M		x1
M1		x1
Q		x2

Step 2:


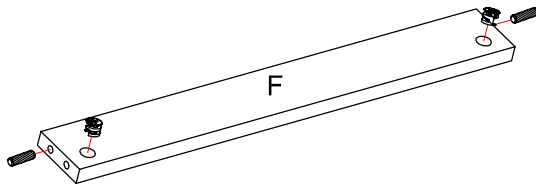
CODE	SIZE/DIAGRAM	QTY
B	820 x 285 x 16	x1
L		x4
M		x1
M1		x1
Q		x2



Step 3:


CODE	SIZE/DIAGRAM	QTY
E	568 x 60 x 16	x1
O		x2
N		x2

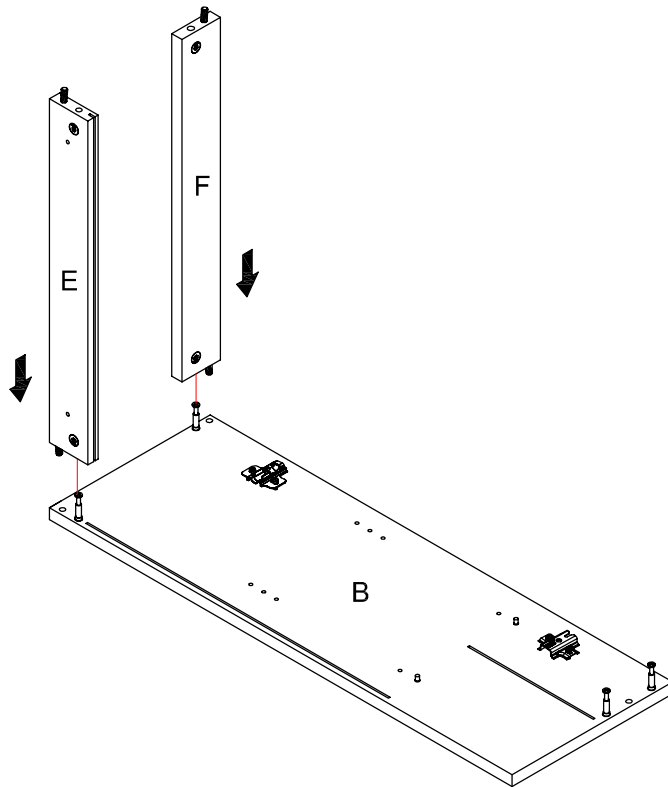
During assembly the arrow stamped on part (N) should point towards the screw hole.

Step 4:

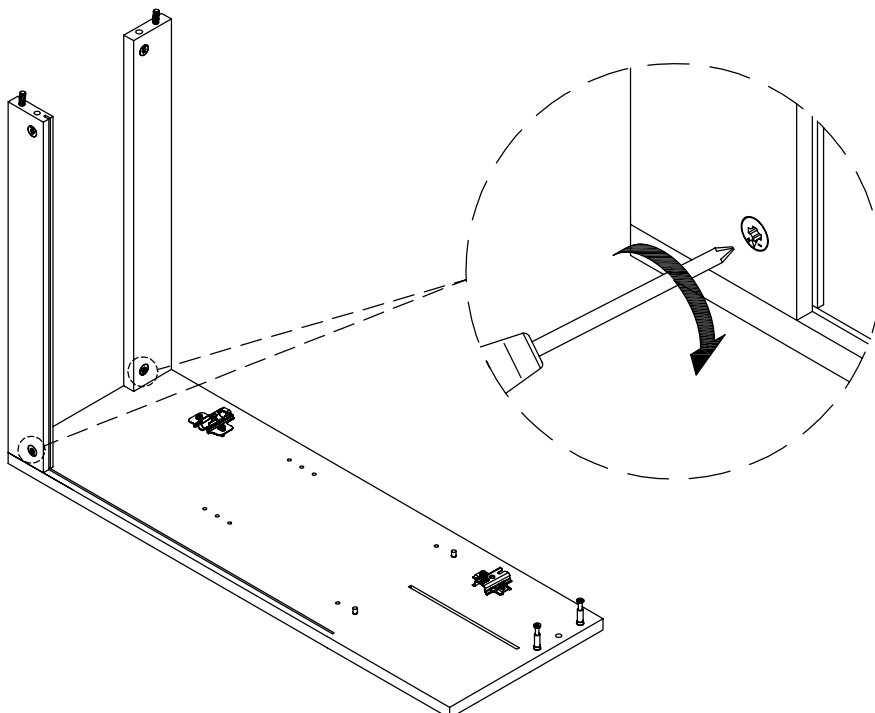


CODE	SIZE/DIAGRAM	QTY
F	568 x 60 x 16	x1
O		x2
N		x2

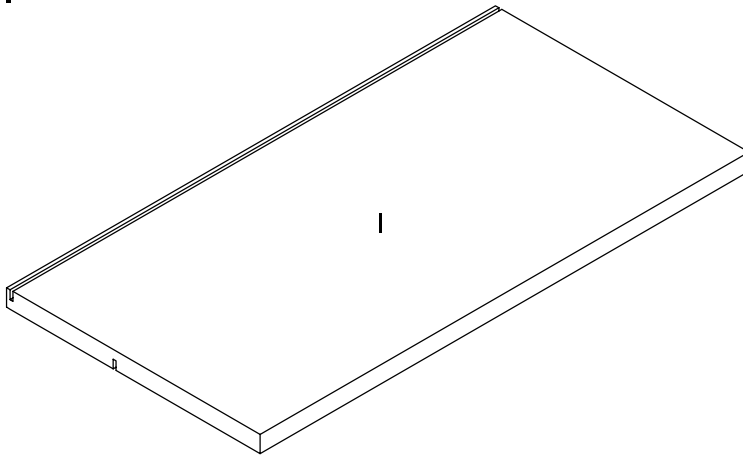
Step 5:



Step 6:

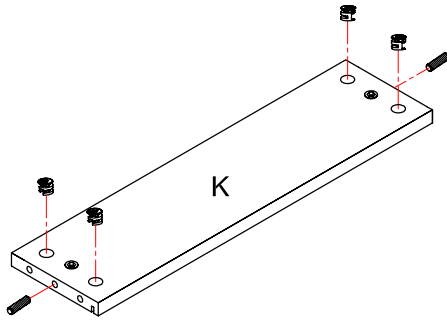




Step 7:



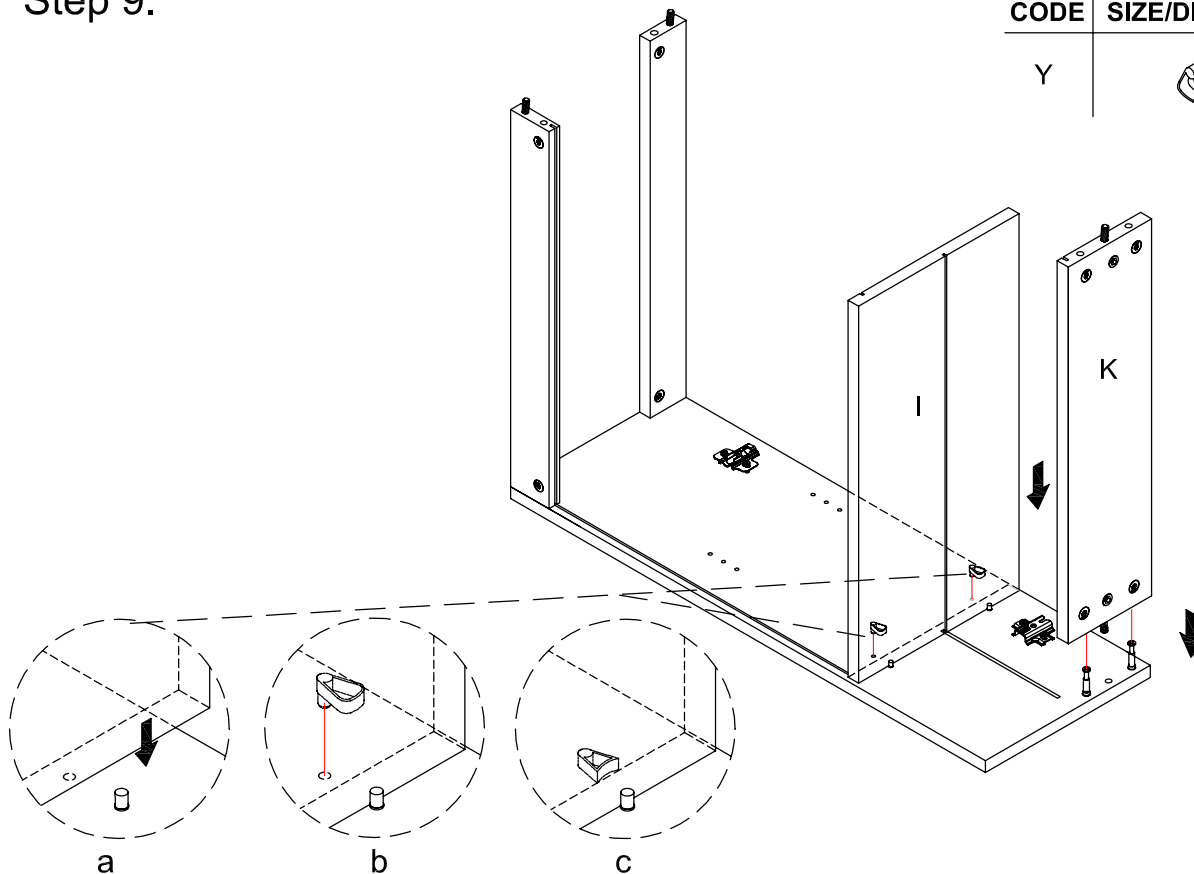
CODE	SIZE/DIAGRAM	QTY
I	568 x 284 x 16	x1

Step 8:



CODE	SIZE/DIAGRAM	QTY
K	568 x 134 x 16	x1
O		x2
N		x4

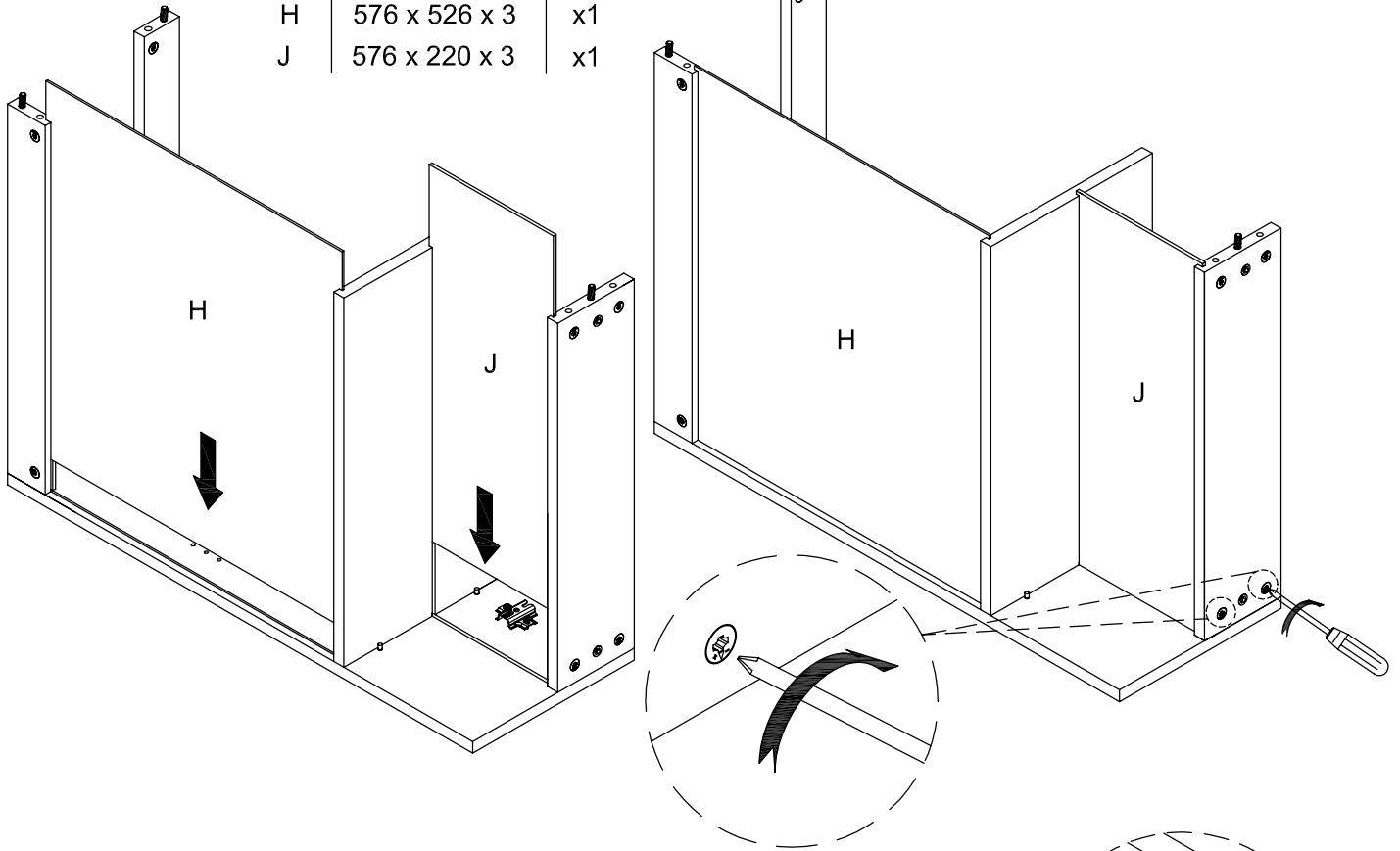
Step 9:




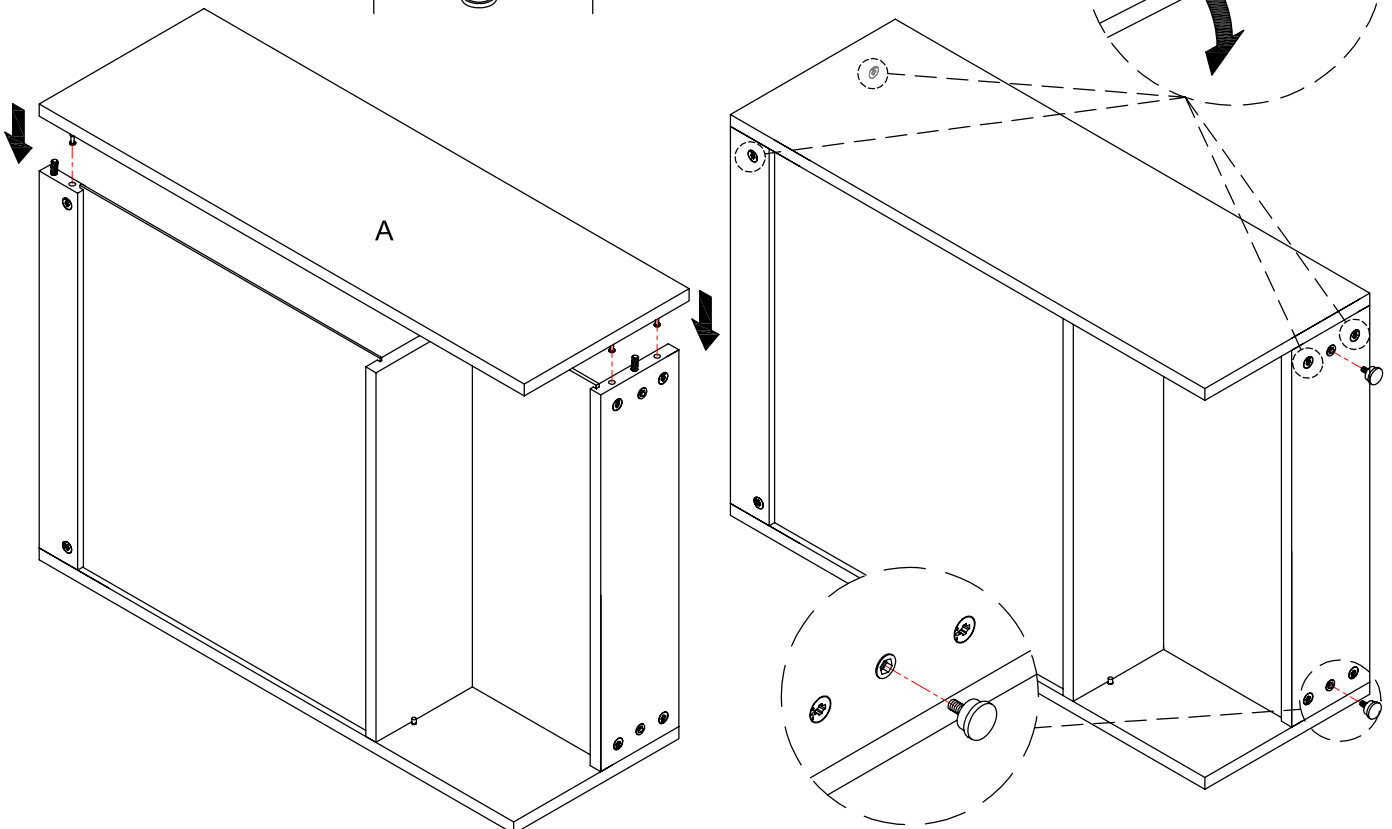
CODE	SIZE/DIAGRAM	QTY
Y		x2

Step 10:

CODE	SIZE/DIAGRAM	QTY
H	576 x 526 x 3	x1
J	576 x 220 x 3	x1



Step 11:

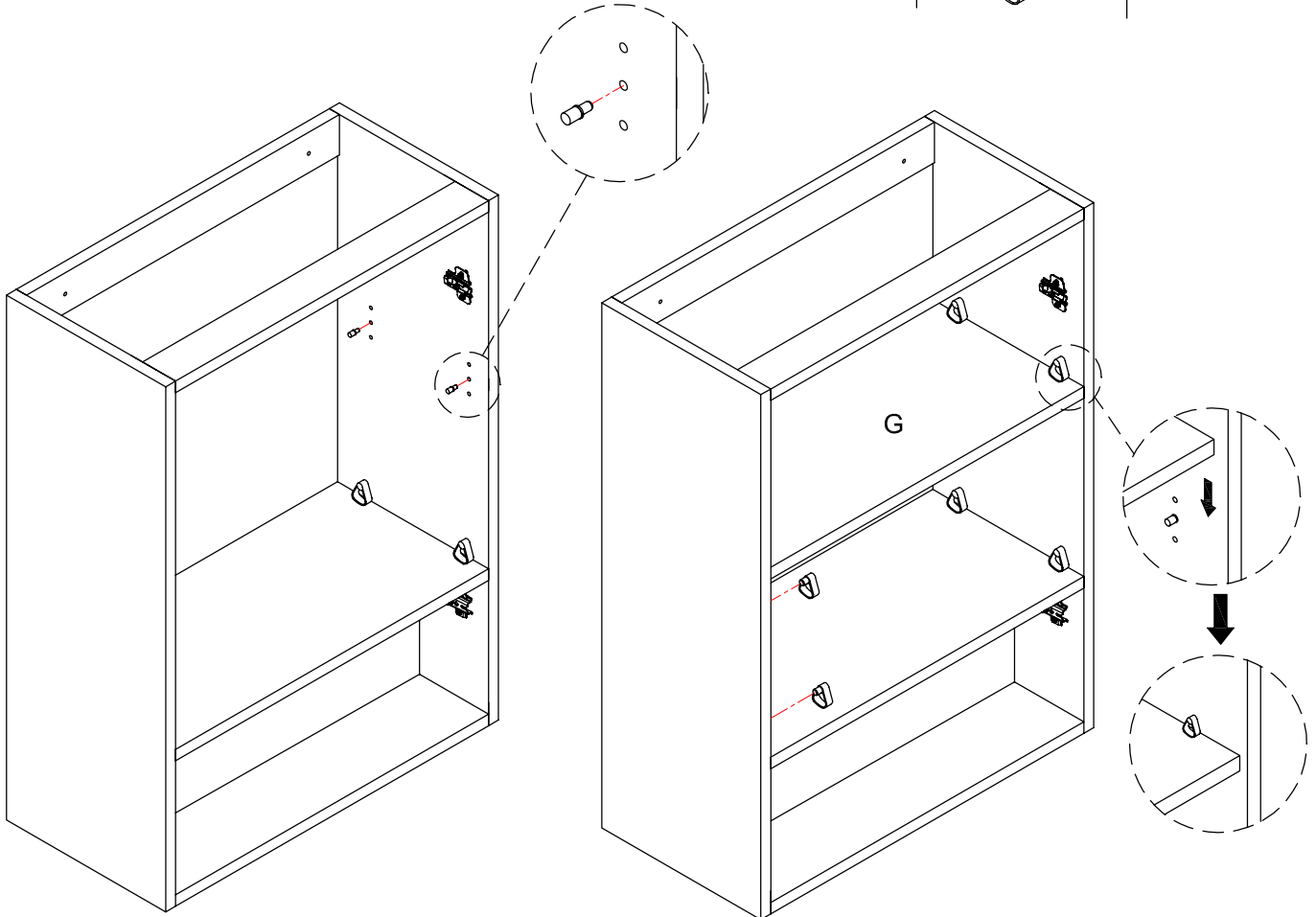
CODE	SIZE/DIAGRAM	QTY
P		x2



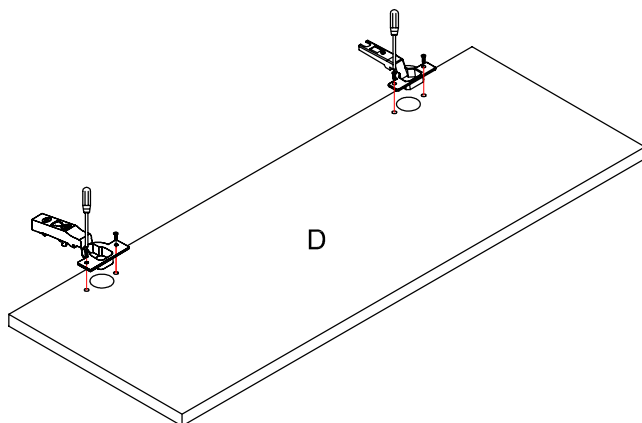
Step 12:


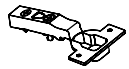

CODE	SIZE/DIAGRAM	QTY
Q		x4

CODE	SIZE/DIAGRAM	QTY
G	567 x 272 x 16	x1
Y		x6


Step 13:



S1 is the soft close action hinge, and Hinge S is the sprung hinge.

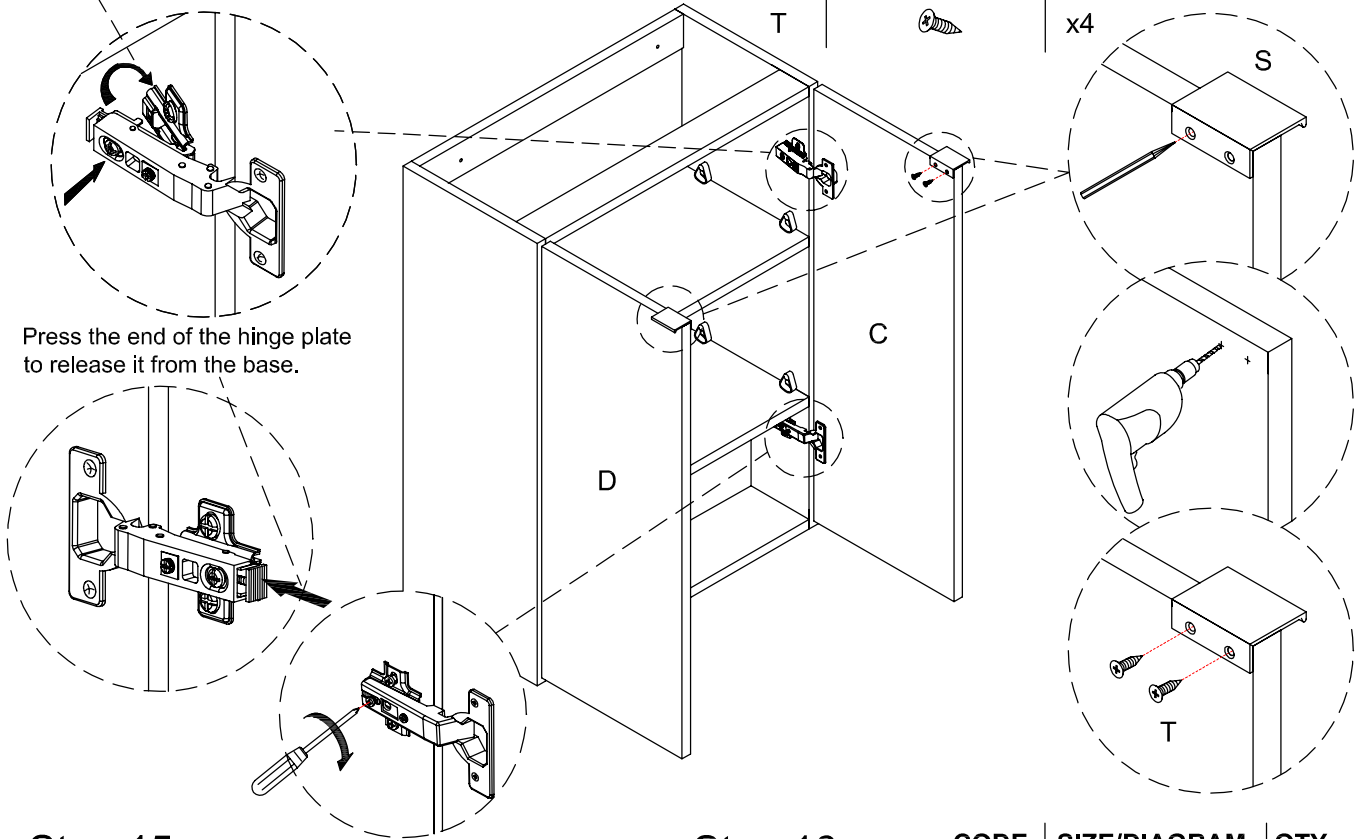
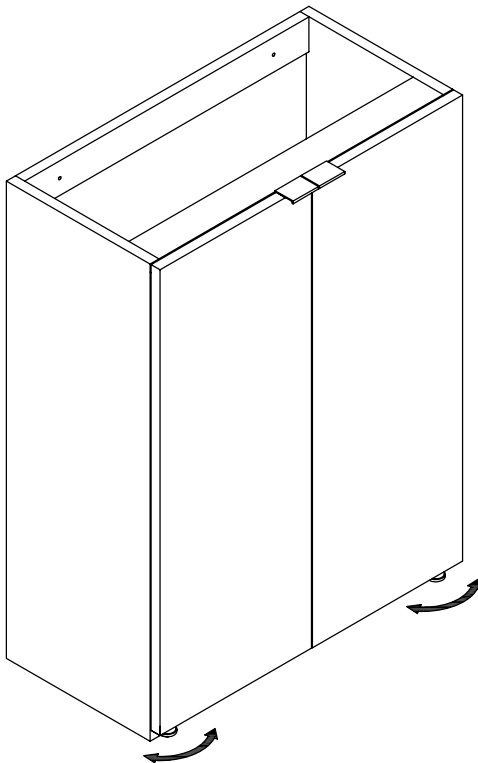


CODE	SIZE/DIAGRAM	QTY
C	802 x 296 x 18	x1
D	802 x 296 x 18	x1
R		x2
R1		x2
U		x8

Step 14:



Press the hinge plate towards the base and click it onto the base.

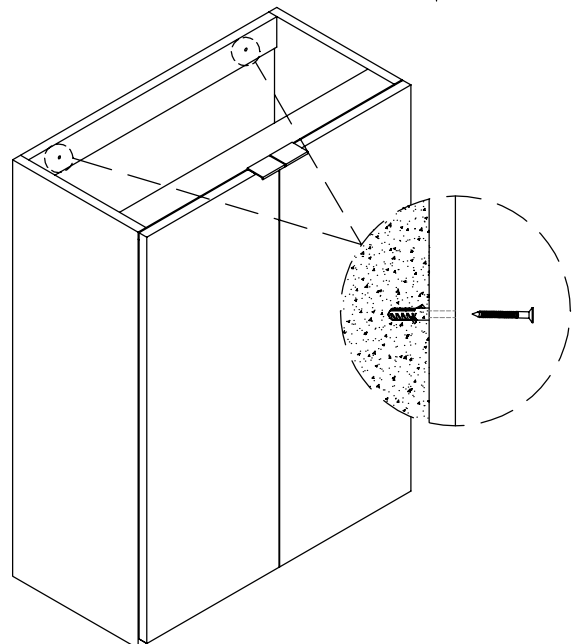
CODE	SIZE/DIAGRAM	QTY
S		x2
T		x4


Step 15:


Place the unit in position against the wall.
Raise or lower height adjusters (P) to level and achieve desired height at the front.

Step 16:

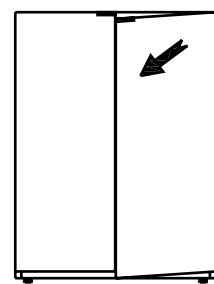
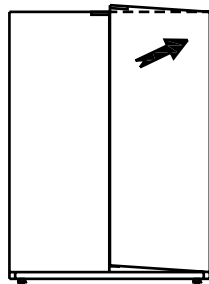
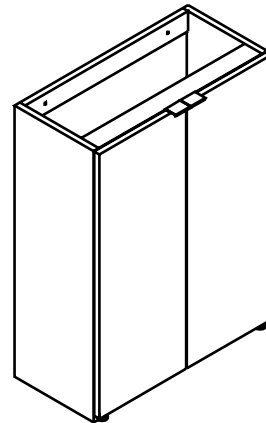
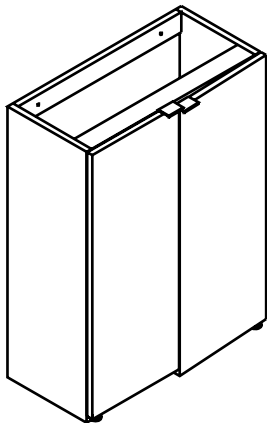
CODE	SIZE/DIAGRAM	QTY
V		x2
W		x2



Ensure that the top is horizontal before marking the wall for fixing.
The wall fixings supplied may not be suitable for your installation. You may need to source alternatives depending on the material and strength of the wall you are fixing to.

ers, hinges, shelves or pipe work.

Carefully drill small pilot holes ($\text{\O}3\text{mm}$) through the sides of both units. Drill full size holes ($\text{\O}6\text{mm}$), part way through one side then finish off by drilling through from the other side; this will avoid splintering the wood veneer. Once joined together, fully tighten the wall fixings.



Care and Maintenance

Please leave with the householder

This furniture is made of wood, and has a water resistant finish. It should not be left wet. The quality of the finish is best maintained if it is wiped with a dry cloth after use. It should only be cleaned using a soft damp cloth followed by a dry cloth. Do not use bleach or any abrasive cleaner.