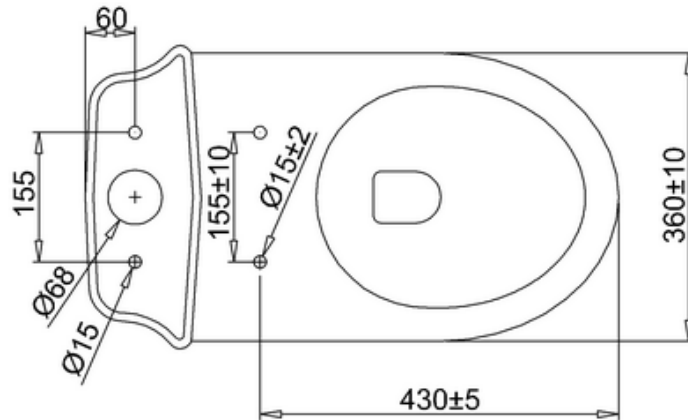




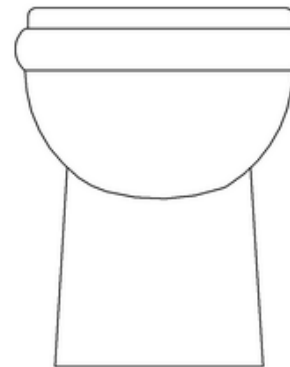
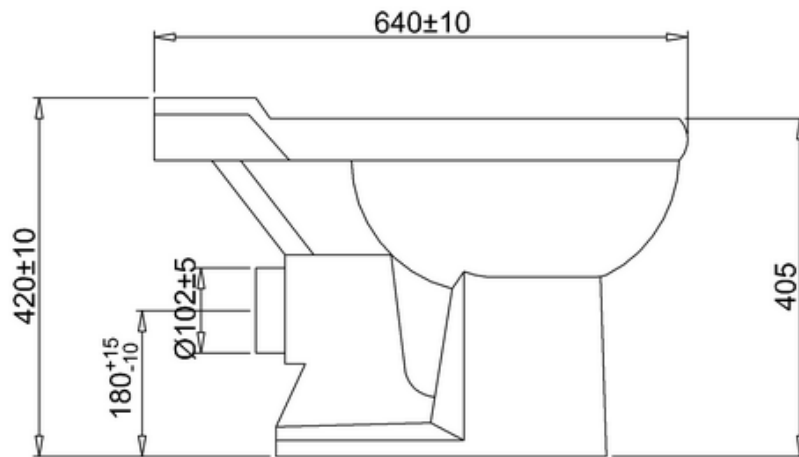
bathstore

41800010027 - DENVER CLOSE COUPLED PAN WHT



Remark:

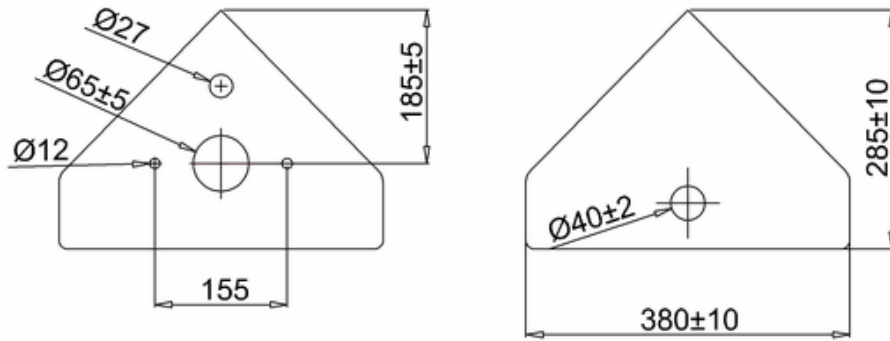
- 1: Flatness of installation surface: 0~2mm
- 2: Flatness of whole surface: 0~5mm
- 3: Depth of water seal: Min 50
- 4: Spigot length: Min.40
- 5: Height difference between left and right: 0~6
- 6: Height difference between seat hole and front rim: 0~6
- 7: From seat hole to front rim:
For the top control as 2mm;
For the bottom as 6mm





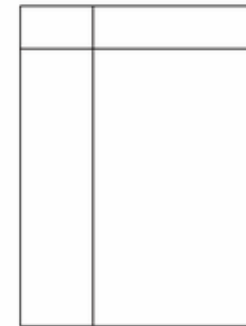
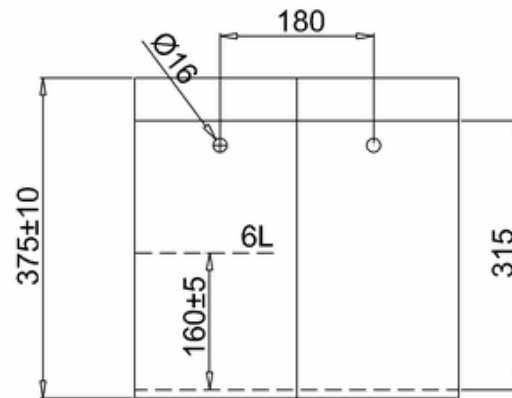
bathstore

41800050280 - DENVER CORNER CISTERN WHT EXCLUDING FITTINGS



Remark:

- 1: Flatness of installation surface: 0~2mm
- 2: Flatness of whole surface: 0~5mm
- 3: Flatness of main surface: 0~5mm
- 4: Flatness of side surface: 0~4mm





bathstore

**41200100750 - DENVER & MONTE THERMOSET SOFT CLOSE
SEAT WHT SINGLE BUTTON RELEASE**

