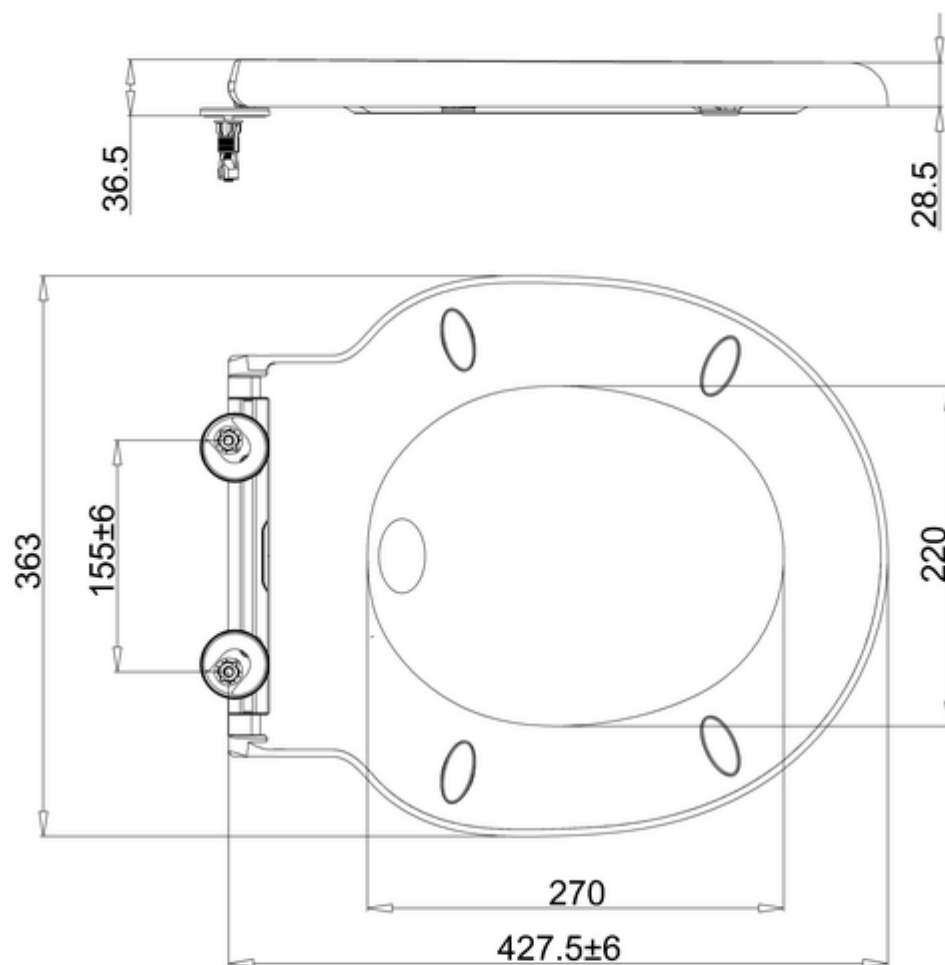


41200100775 - Trio toilet seat



Note:

Whole dimension tolerance is ± 5 .

Dimension tolerance between two hinge holes is ± 5 .



bathstore