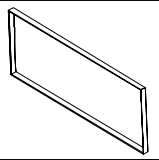



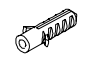
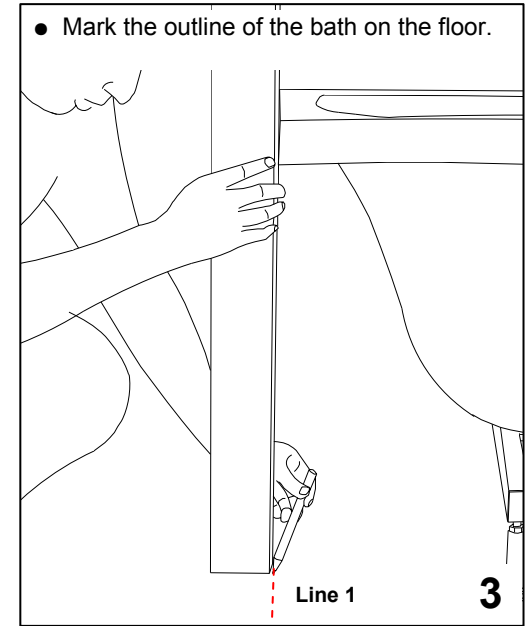
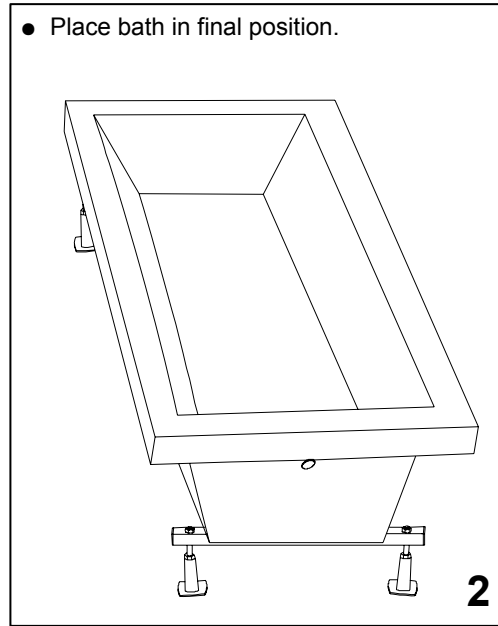
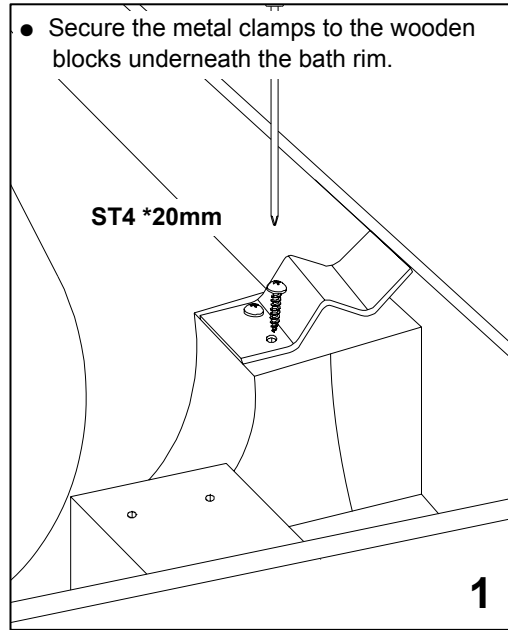


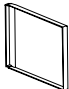



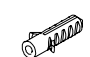
NOTES

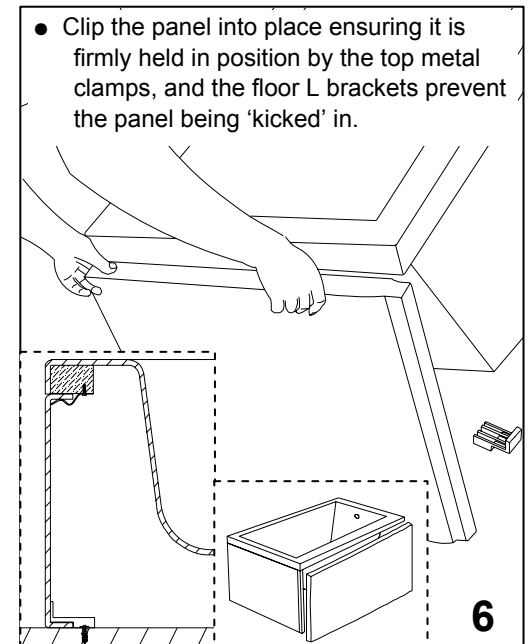
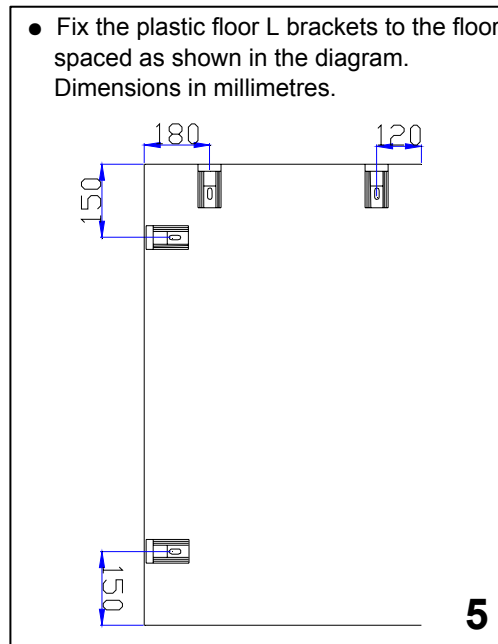
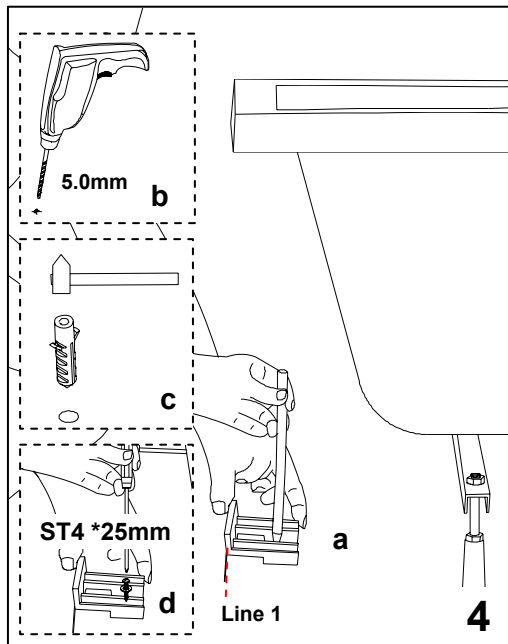
- Prior to installation check that all fittings have been supplied.
- Assemble the bath on a mat to protect the bath surface from damage or scratching.
- These installation instructions do not include the waste, tap or any other items. Such items should be installed by a suitably qualified person.
- Fit horizontal batten before securing bath to the floor (see page 3)
- Follow each step in turn.

- It is essential that once the bath is in its final position the bath legs be firmly fixed to and secured to the floor using fixings appropriate for the type of floor surface (such fixing not included)

FRONT PANEL	
1x	
ST4 *20mm 8x	 4x
ST4 *25mm 2x	 2x
 2x	 2x

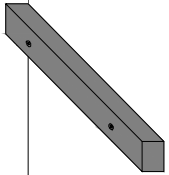


END PANEL	
1x	
ST4 *20mm 4x	 2x
ST4 *25mm 2x	 2x
 2x	 2x



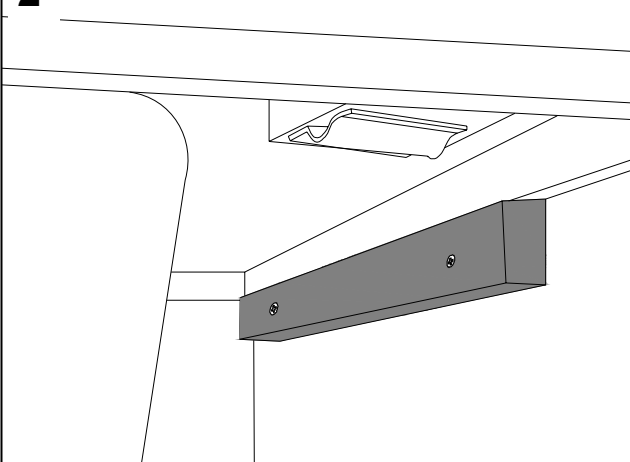
- Place the bath in position to determine height, water and soil requirements.

1



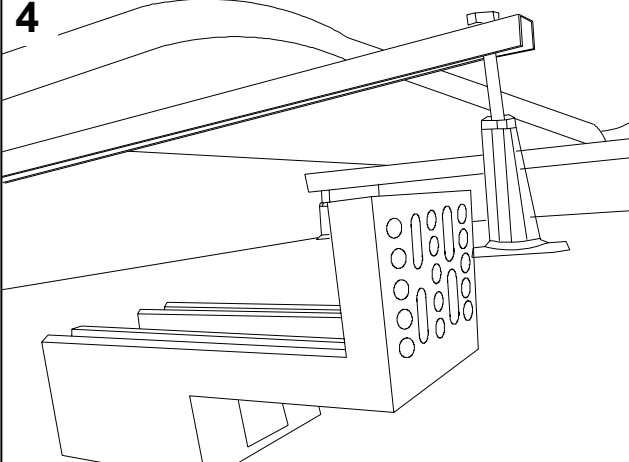
- Screw a batten of 2" by 1" treated timber to the wall horizontally to support the bath rim. This ensures that the bath will remain stable and the rim cannot flex.

2

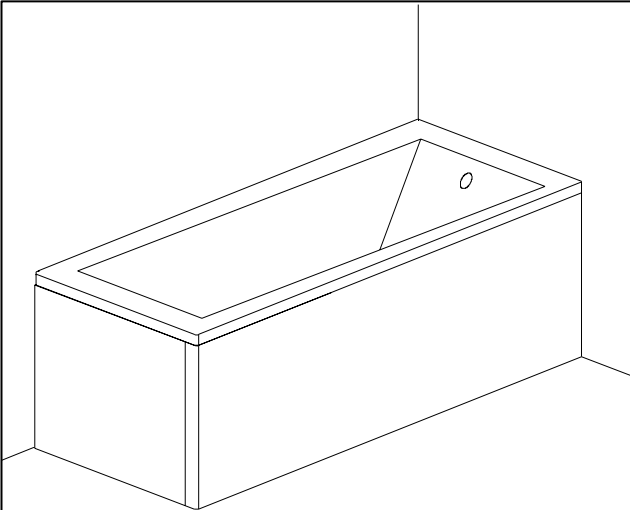


- Place the bath back into position. Attach all water and waste connections.

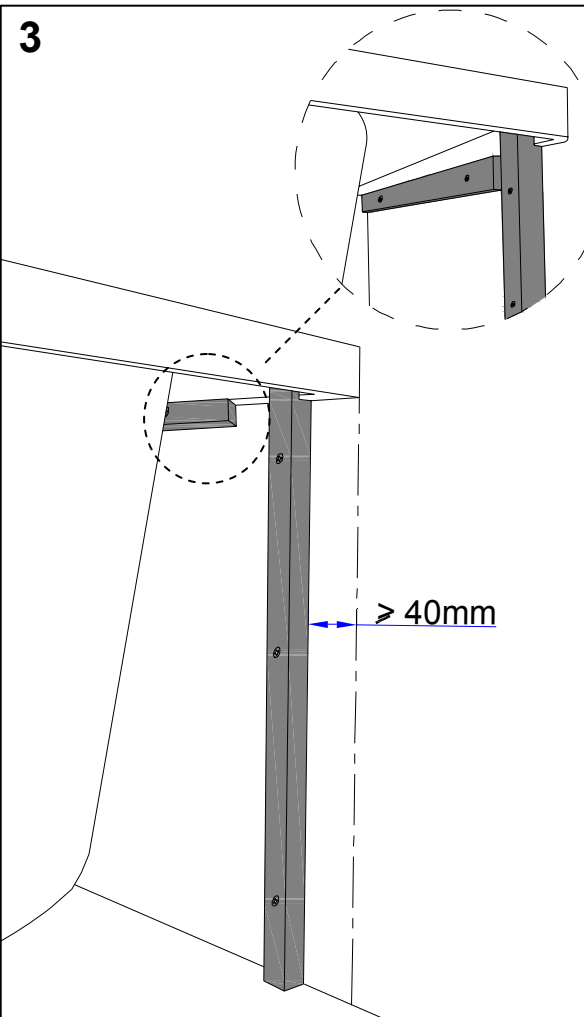
4



- When installing the bath panels, remember to install the floor fixed L brackets so as to prevent the bottom of the panel being 'kicked' in. See section 4, 5 and 6 on previous page.



3



- Screw another 2" by 1" treated timber batten vertically onto the wall, clamping the bath to the wall. This batten should be at least 40mm in from the corner of the bath. This batten will provide additional rim support. This should be done on both corners to securely hold the bath in place.