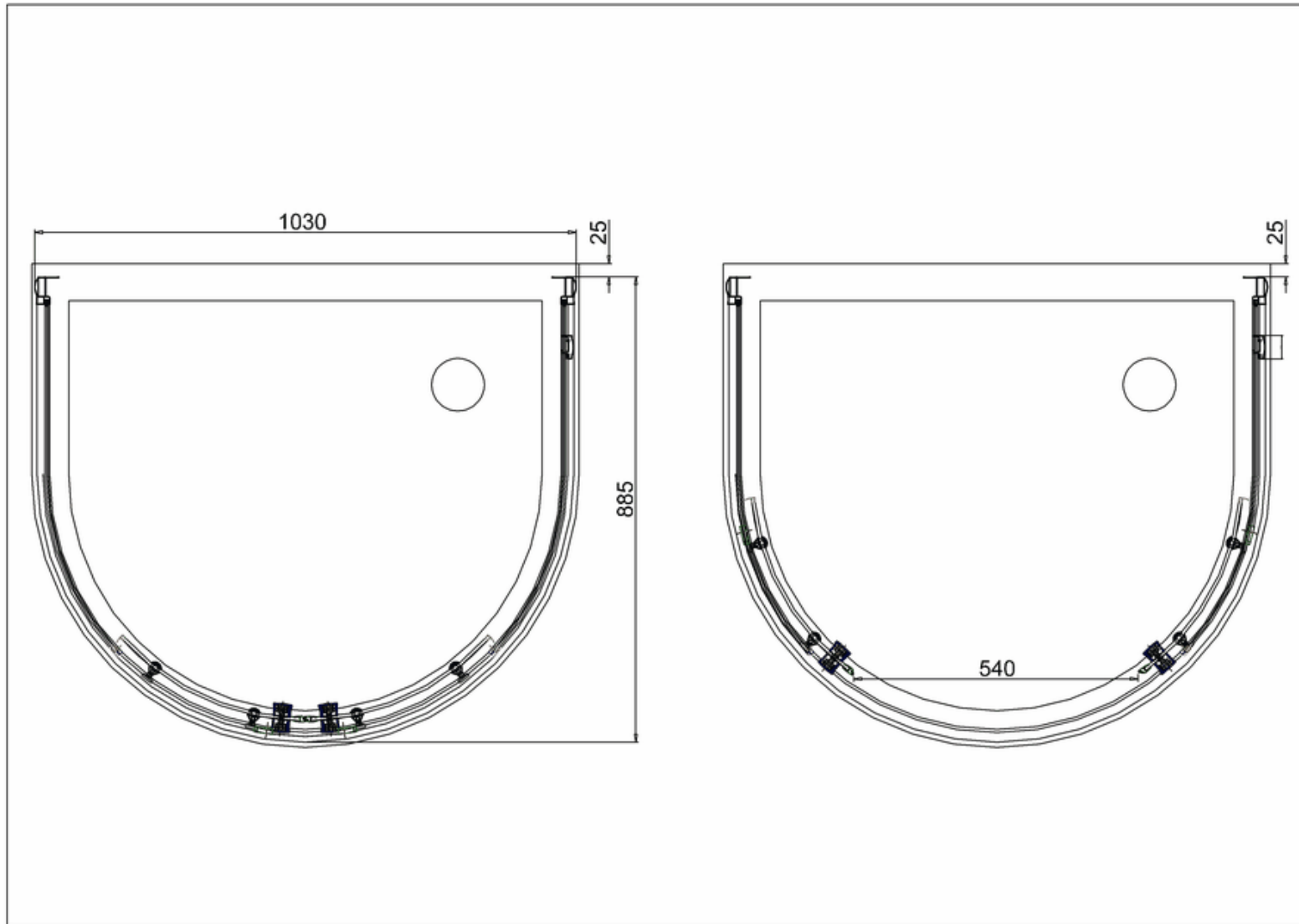




bathstore

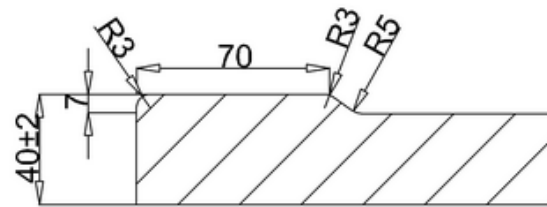
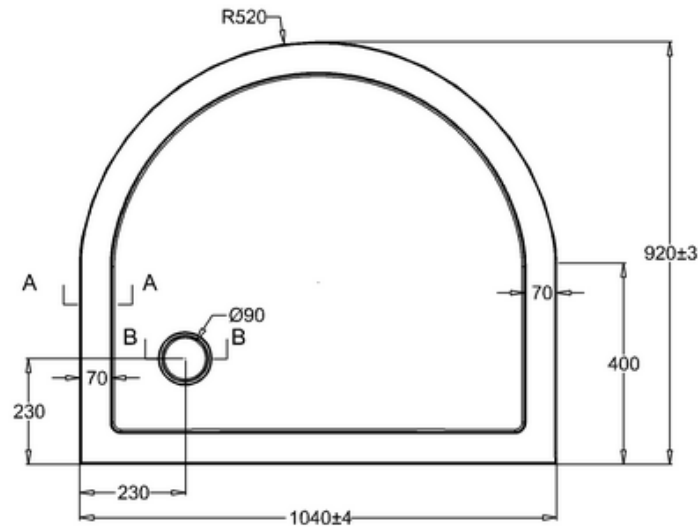
41300014840 - D shape shower door BOX B



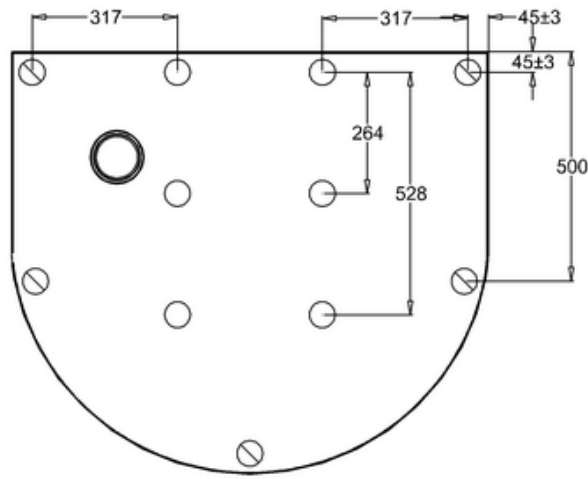


bathstore

44400005210 - Slimstone D Shape Shower Tray



A - A



Note:

Whole dimension tolerance is ± 5 .

Waste hole ID tolerance is: $\begin{matrix} +2 \\ -3 \end{matrix}$

Shower tray Thickness tolerance is: ± 2 .



bathstore

44400006250 - FAST FLOW SHOWER WASTE CHR

