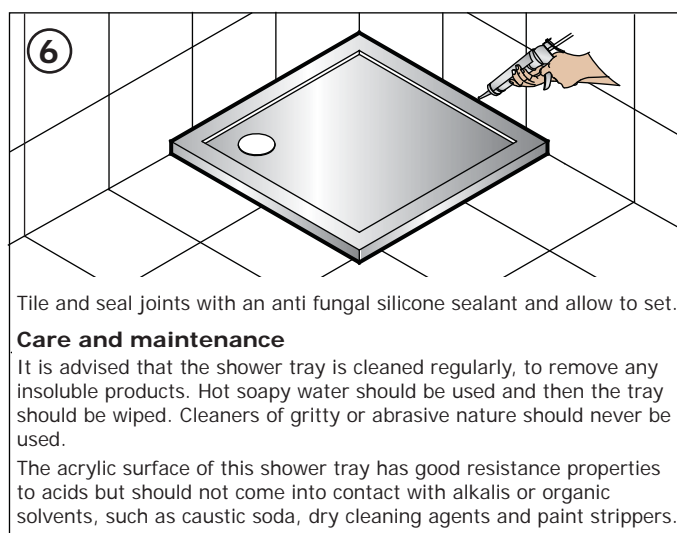
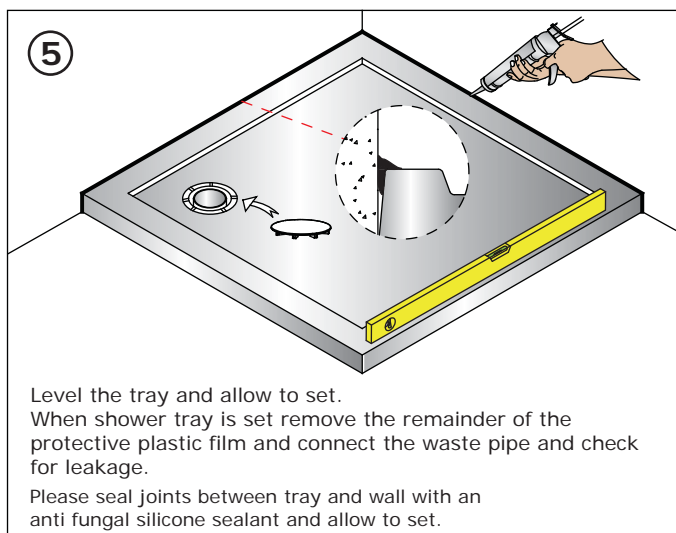
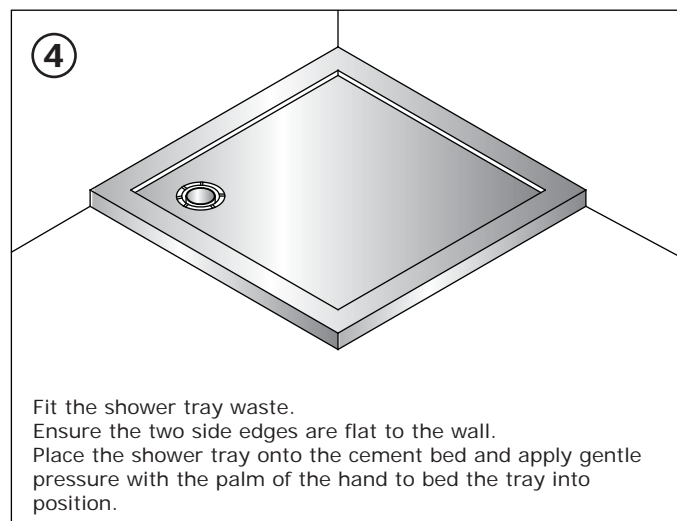
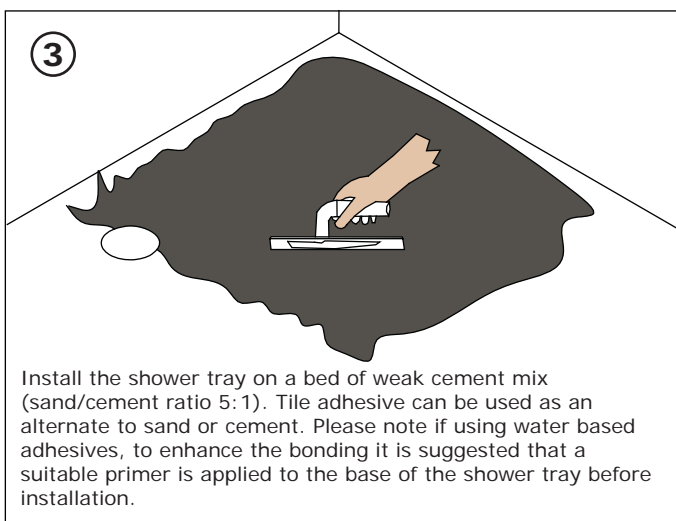
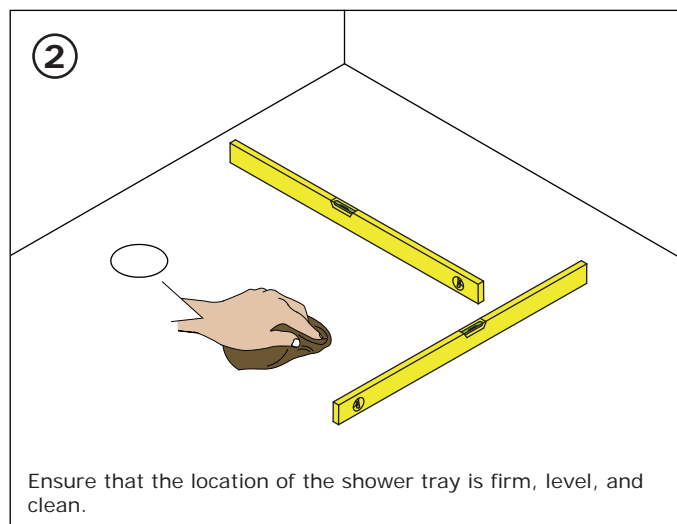
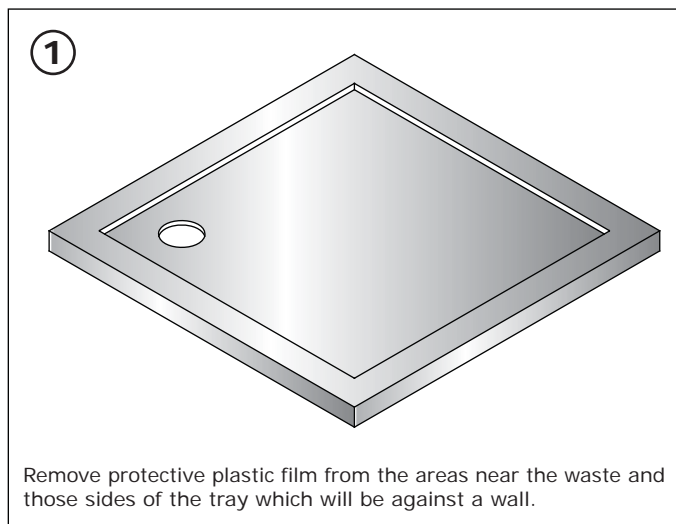


SHOWER TRAY INSTRUCTION

Failure to follow instructions correctly may lead to the acrylic cap separating from the body of the tray.

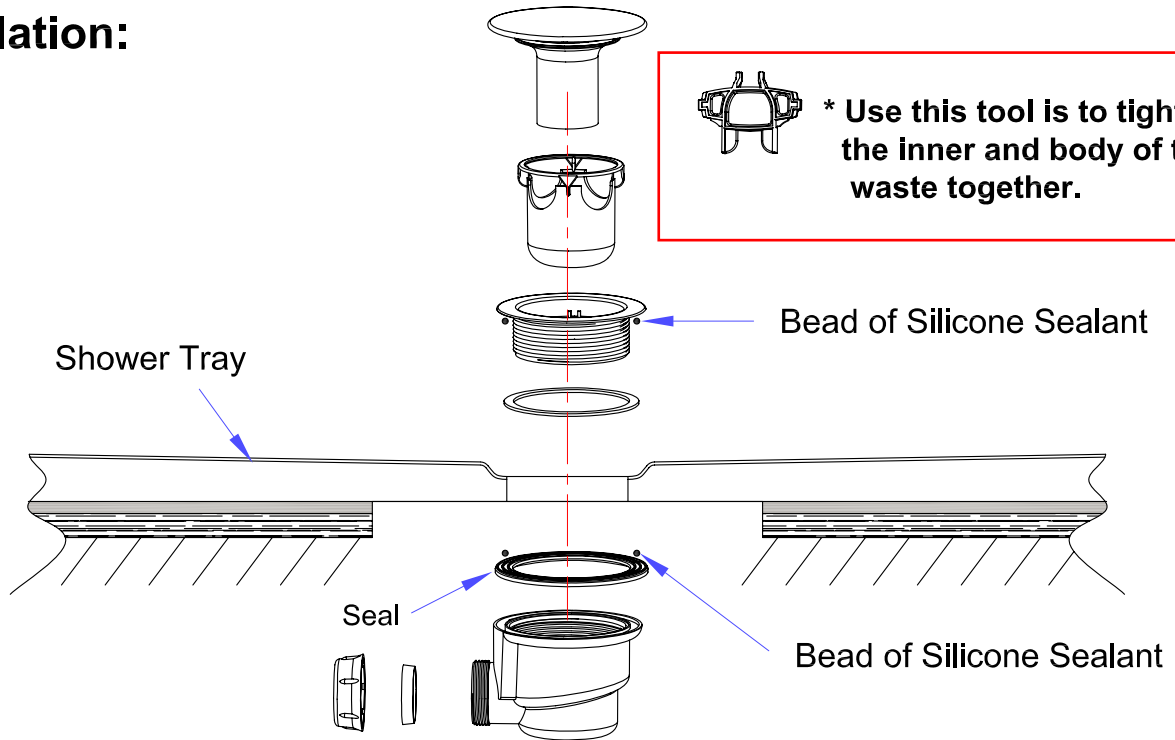
Any Queries? Call : 08000 23 23 23



FAST FLOW SHOWER WASTE CHR INSTRUCTION

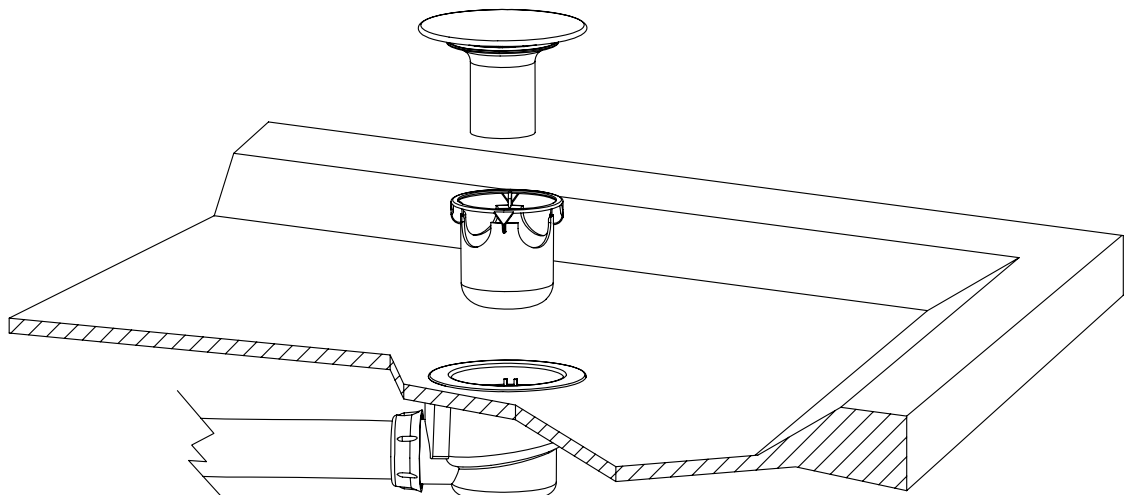
44400006250

Installation:



Maintenance:

- Remove the waste cover.
- Remove the inner filter.
- Clean with hot soapy water.
- Re-assemble in reverse order.



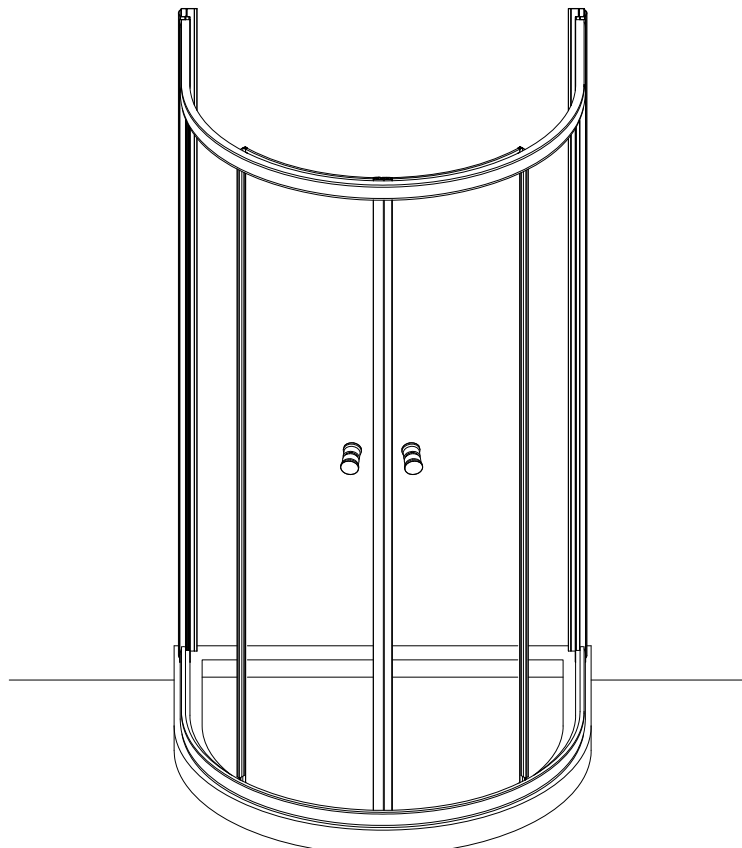
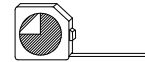
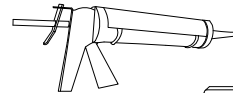
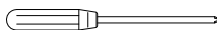
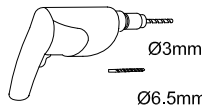
D SHAPED SHOWER ENCLOSURE

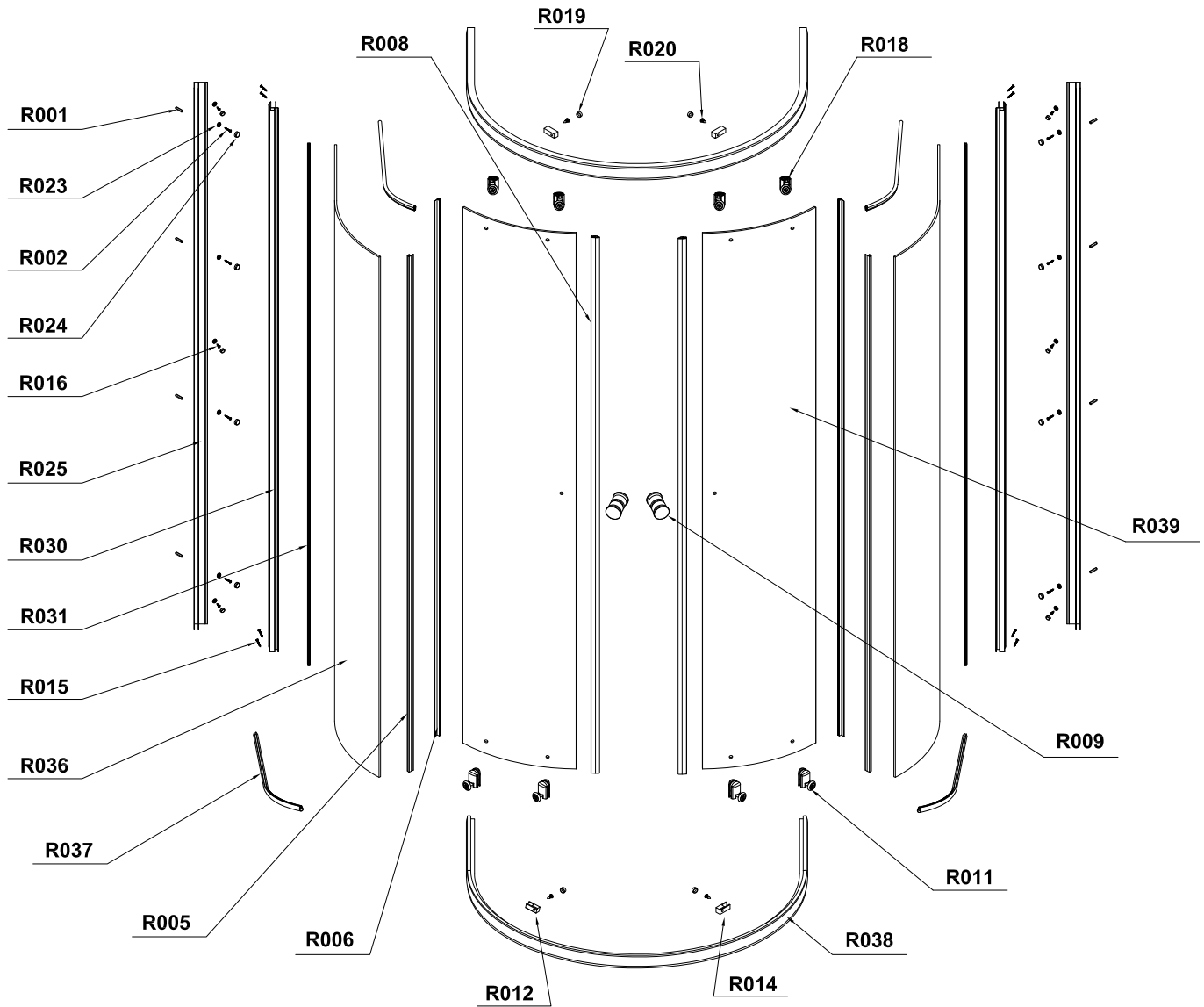
Installation Instructions





















(41300014830, 41300014840)

- Prior to installation check that all fittings have been supplied.
- The tray should be installed by a competent person. The tray should be level, the walls should be tiled down to the tray, and the horizontal gap between the tiles and tray must be sealed with silicone sealant to ensure water-tightness.
- Handle with care. Impacts can damage both the glass and the frame.
- Please check for any hidden pipes or cables before drilling holes in the wall.
- The success of the installation and operation is, of course, dependant on the squareness, alignment and construction of the walls to which the enclosure is fixed. If the walls are significantly out of true we recommend dry lining the walls to ensure they are both vertical and at 90 ° to each other.
- The wall fixings supplied may not be suitable for your installation. You may need to source alternatives depending on the construction of the wall you are fixing to.

Tools Required:





R001	 wall plug	8x	R015	 ST4*30 round head screw	8x	R039	sliding door	2x
R023	 washer	14x	R036	fixed glass panel	2x	R018	 top roller	4x
R002	 ST4*30 B head screw	8x	R037	 top & bottom seal strip	4x	R012	 Left glass clip	2x
R024	 Cap	14x	R005	 fixed panel seal strip (short)	2x	R014	 right glass clip	2x
R016	 M4*12 B head screw	6x	R006	 door seal strip (long)	2x	R020	 M4*10 round head screw	4x
R025	 wall channel	2x	R038	 track	2x	R019	 glass clip screw cap	4x
R030	 glass frame	2x	R011	 bottom roller	4x	R008	 magnet seal strip	2x
R031	 U-shape rubber strip	2x	R009	 handle	2x			

