



**bathstore**

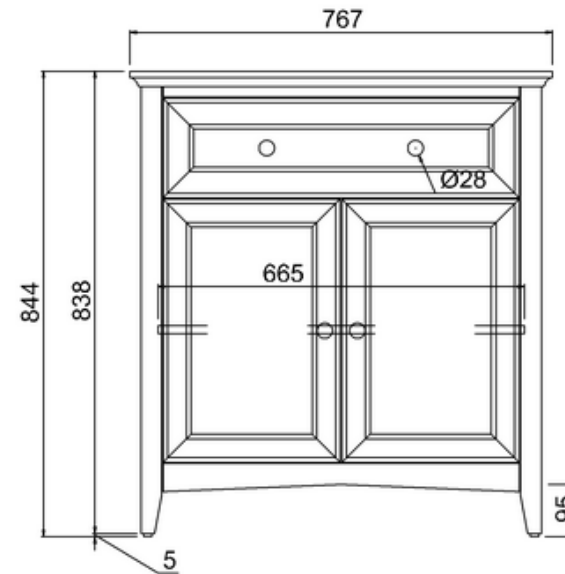
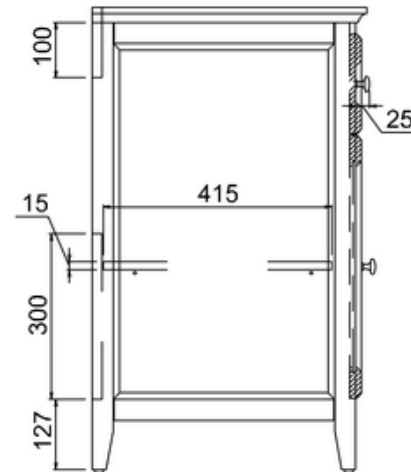
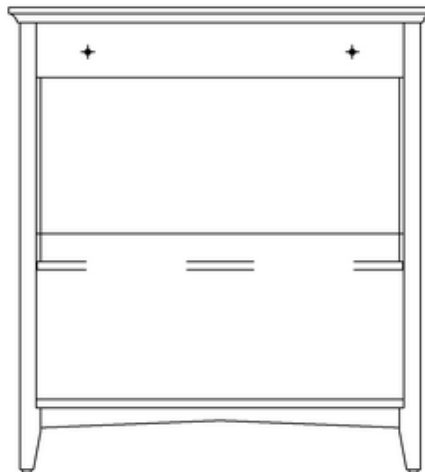
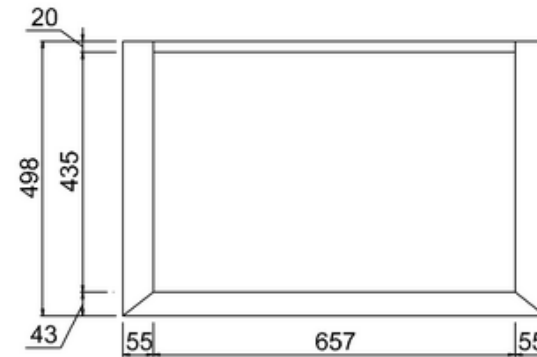
## 20050073210 - SAVOY CHARCOAL GREY DOUBLE DOOR BASIN UNIT W787 H855 D508 (NO TOP)

Note:

The length, width, height dimension tolerance is

:  $\pm 5$

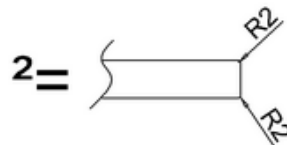
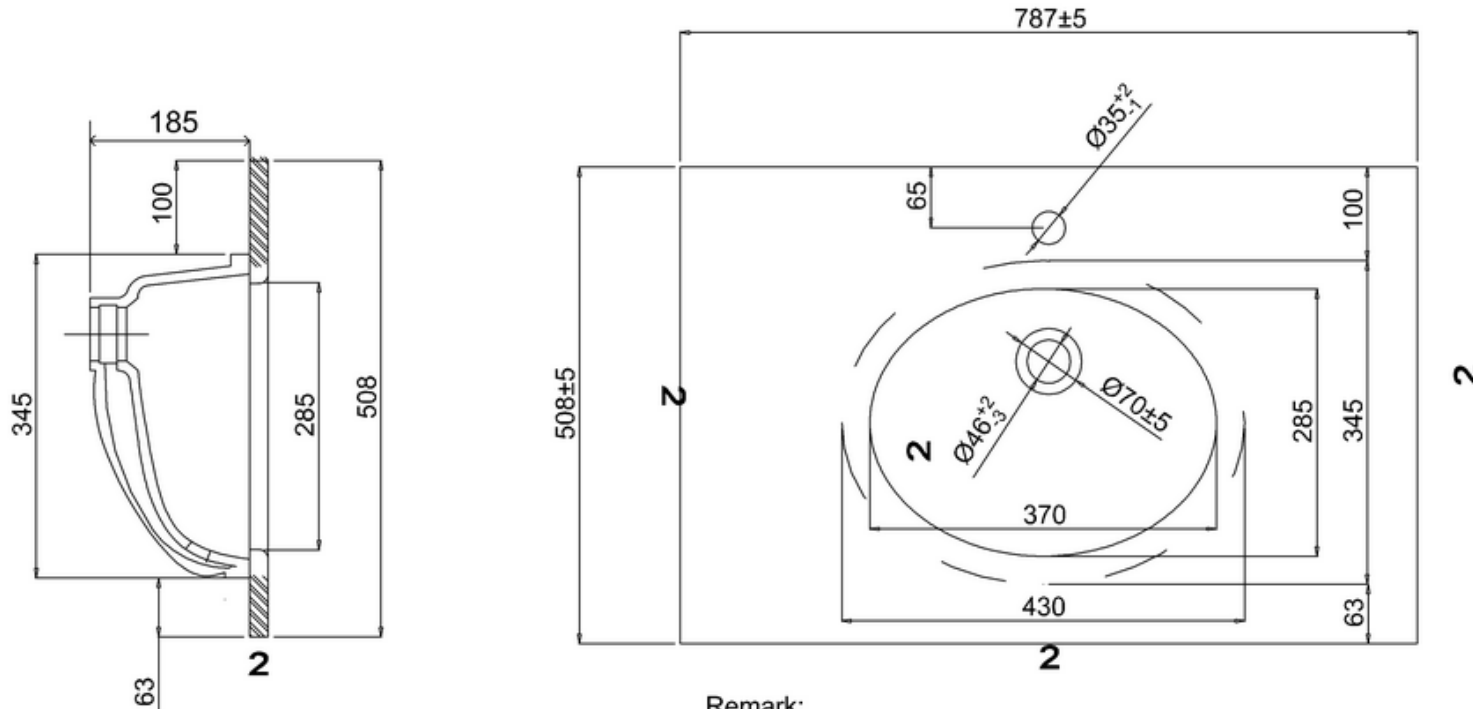
The shelf dimension tolerance is:  $\pm 2$





**bathstore**

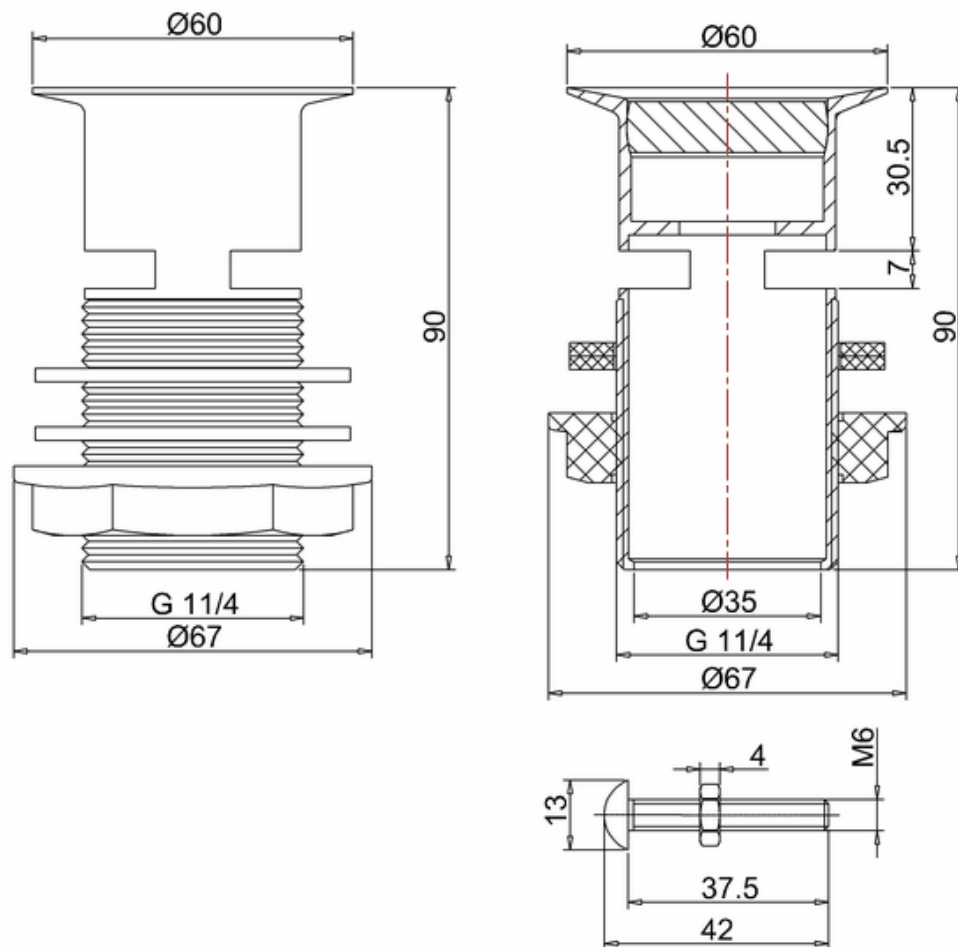
## 41800070400 - Savoy Double Carrara 1TH Marble Top & U/C Ceramic Basin W787



**Remark:**

- 1: Flatness of installation surface: 0~2mm
- 2: Flatness of whole surface: 0~5mm
- 3: Flatness of main surface: 0~5mm
- 4: Flatness of side surface: 0~4mm
- 5: Distance from tap hole to edge of bowel: Max.80mm
- 6: Dim from basin back to center tap hole: Min.55mm
- 7: Distance between tap hole to drain hole: Max.170mm
- 8: Depth from tap platform to drain hole: Max.250mm

## 20003000018 - Flip Top Basin Waste (slotted)



**Note:**

For each part of the accessory, the dimension tolerance should be followed the list below.

0 - 100	101 - 200	201 - 400	$\geq 401$
$\pm 1$	$\pm 2$	$\pm 3$	$\pm 5$

For the finished assembly, the dimension tolerance should be followed the list below.

0 - 300	$\geq 301$
$\pm 2$	$\pm 5$