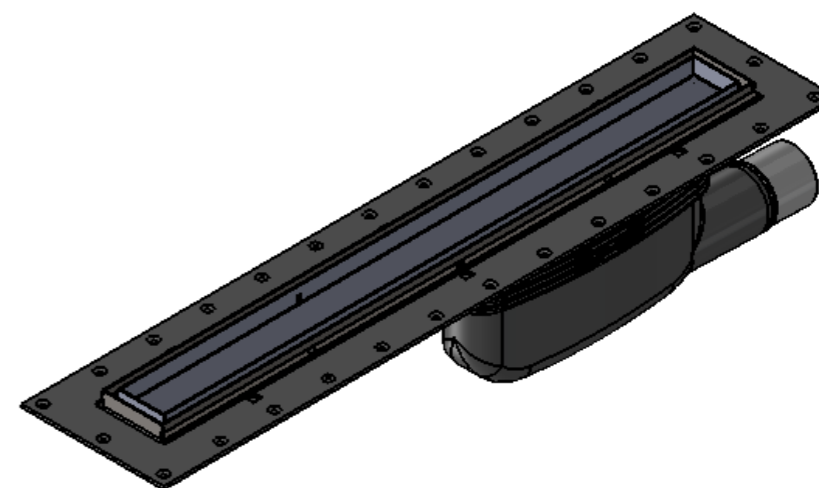
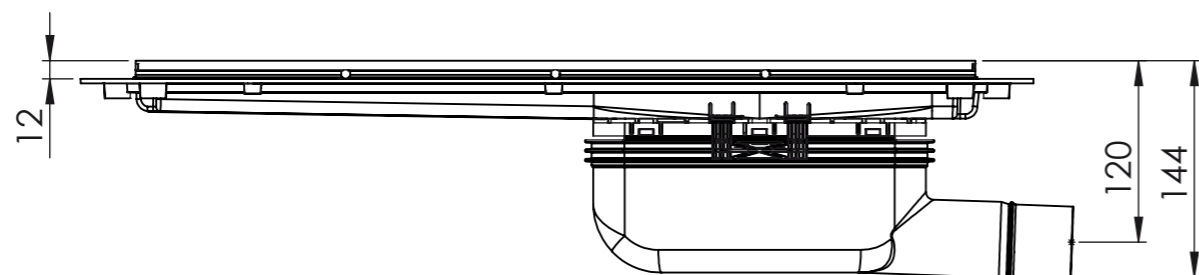
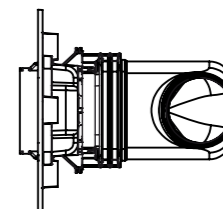
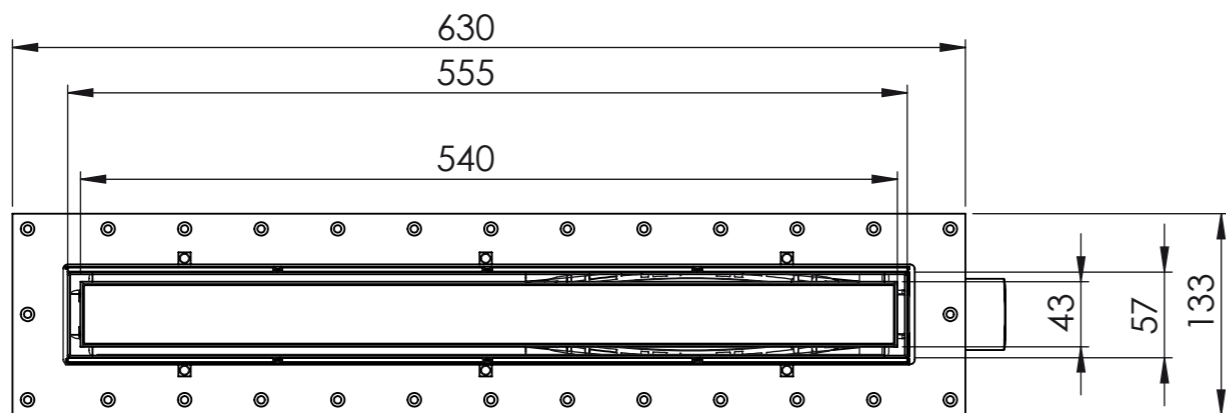


This document must not be copied without our written permission, and the contents thereof must not be imported to a third party nor be used for any unauthorized purpose. Contravention will be prosecuted. Purus AB



Denna handling får ej utan vårt medgivande kopieras. Den får ej heller delgivas annan eller ejlest obehörigen användas. Överträdelse härav beivras med stöd av gällande lag. Purus AB

Annotation		A3		This drawing replace		Replaced by		Date	
PURUS		Scale	Page	General tolerance: ISO 2768-1		Weight (gram)		Volume (cm ³)	
Purus AB Södra Dragongatan 15 SE-271 39 YSTAD, SWEDEN Ph. +46 104144900 Fax +46 104144996 www.purus.se		1:5	1(1)						
Material				Surface treatment				Designer	
Name				Article no				Date	
Purusline Living 600 Tile 50mm Side side outlet				52738				JH 2012-04-26	
								Edition	