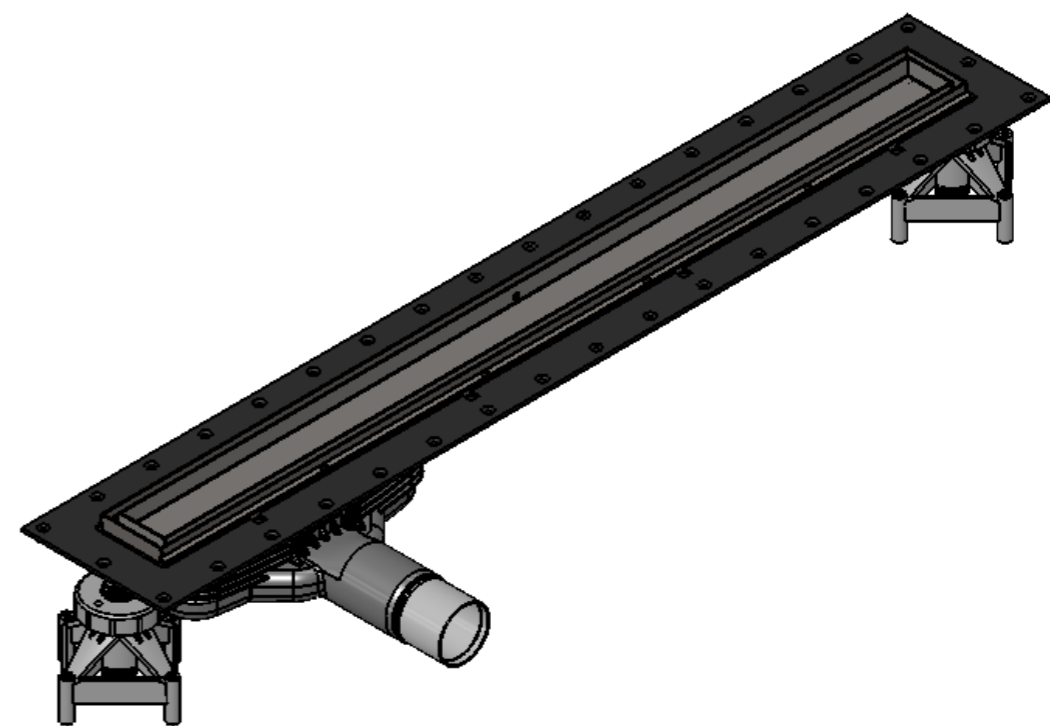
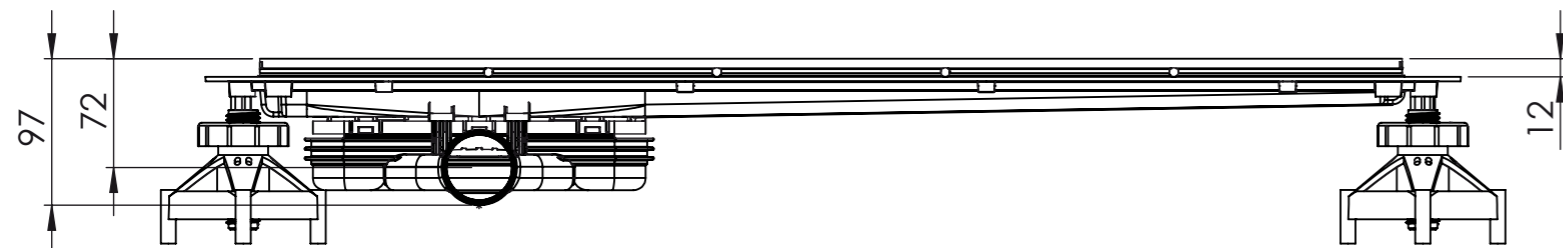
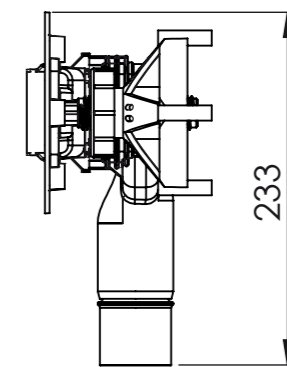
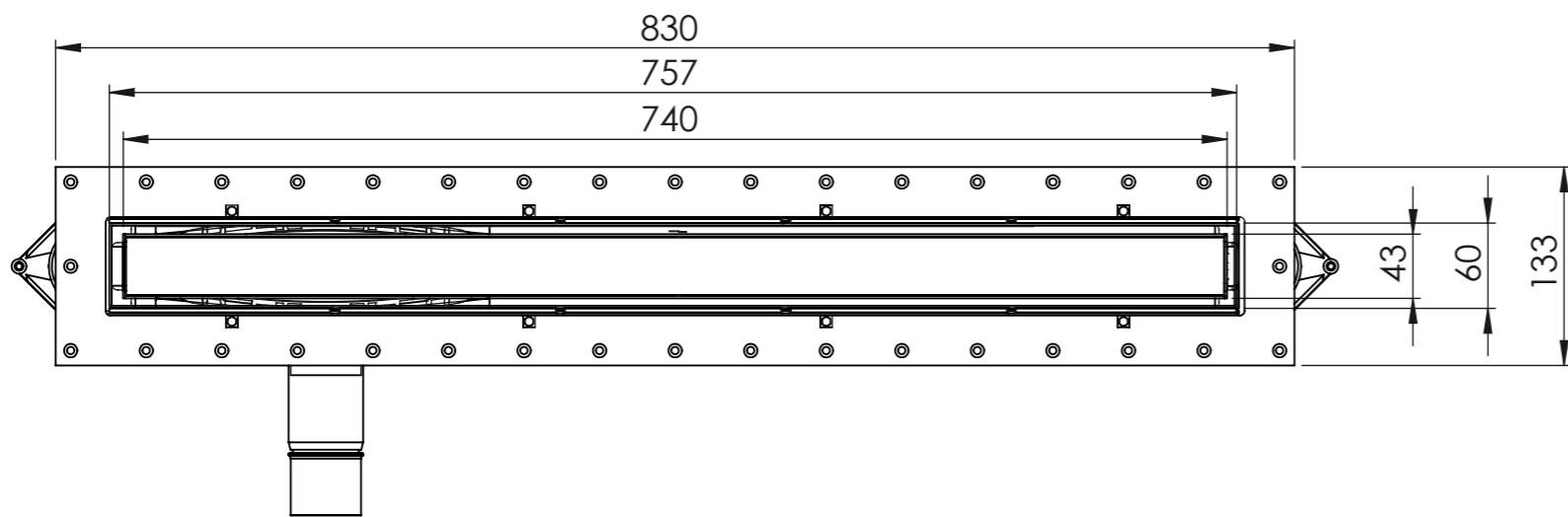


This document must not be copied without our written permission, and the contents thereof must not be imported to a third party nor be used for any unauthorized purpose. Contravention will be prosecuted. Purus AB



Denna handling får ej utan vårt medgivande kopieras. Den får ej heller delgivas annan eller ejlest obehörigen användas. Överträdelse härav beivras med stöd av gällande lag. Purus AB

Annotation		A3		This drawing replace		Replaced by		Date			
 Purus AB Södra Dragongatan 15 SE-271 39 YSTAD, SWEDEN Ph. +46 104144900 Fax +46 104144996 www.purus.se		Scale	Page	General tolerance: ISO 2768-1		Weight (gram)		Volume (cm ³)			
		1:5	1(1)								
Material				Surface treatment				Designer		Created date	
								JH		2012-04-26	
Name						Article no					
Purusline Living 800 Tile 50mm low side outlet						52745					
										Edition	