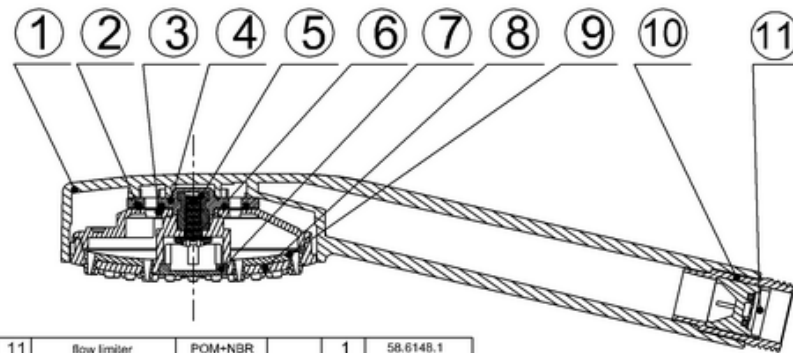
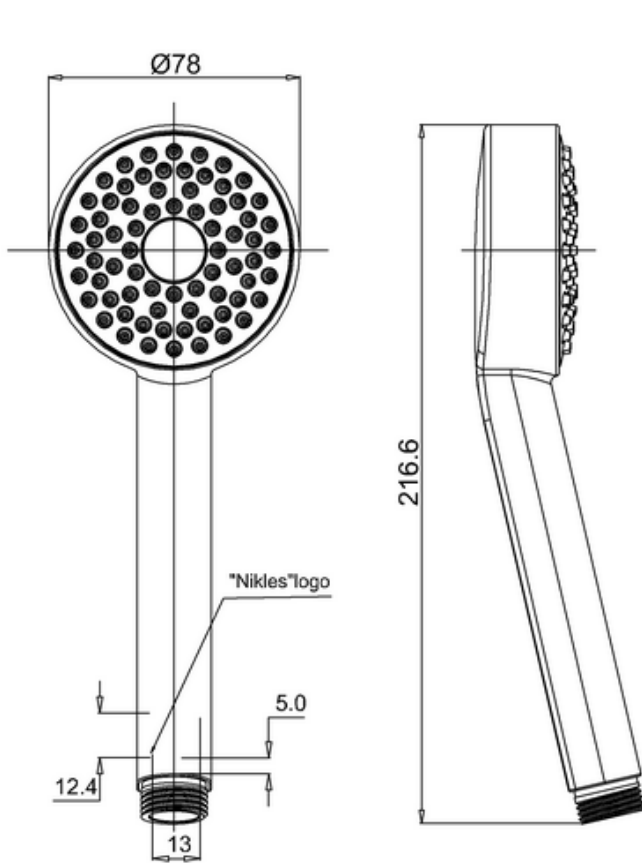




bathstore

20004005570 - CLEAN 75 SINGLE FUNCTION HAND SHOWER



11	flow limiter	POM+NBR		1	58.6148,1
10	plug	ABS	4.0g	1	
9	TPR face plate	TPR+ABS	10g	1	
8	faceplate	ABS	16g	1	
7	cover	ABS	2.0g	1	
6	screw	SUS304		1	
5	insert	HPB50-1		1	M5*11
4	support cover	ABS	8.0g	1	
3	water guide	ABS	13g	1	
2	washer	EPDM70°		1	
1	body	ABS	93g	1	
Pos.	name of parts	material		qty	Description

Note:

For each part of the accessory, the dimension tolerance should be followed the list below.

0 - 100	101 - 200	201 - 400	≥ 401
±1	±2	±3	±5

For the finished assembly, the dimension tolerance should be followed the list below.

0 - 300	≥ 301
±2	±5