

## Installation & Product Care Instructions 41800030320

Please Retain these Instructions for Future Reference

### Installation

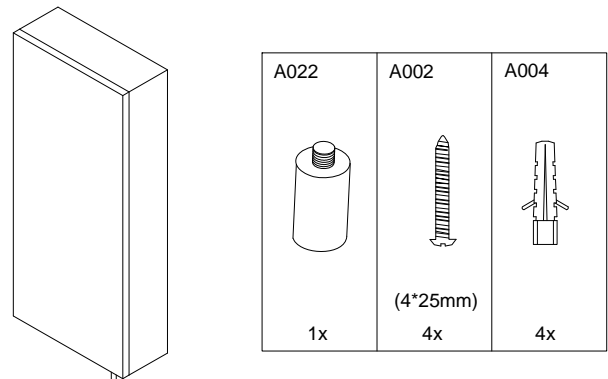
The size of the wall cabinet is 300mm(W) x 670mm(H) x 120mm(D).

It should be fixed through the 4 pre-drilled holes provided in the rear of the cabinet.

Position the cabinet in the desired location & mark through the fixing holes. Use a spirit level to ensure the cabinet is perfectly straight.

Drill holes in the marked positions using a suitable drill bit to a depth of 26mm.

Insert the wall plugs provided into the holes, reposition the cabinet and screw securely into place.



Note: Wall plugs & screws provided are only suitable for stone, brick or generally solid walls. For plasterboard, particleboard and hollow walls it will generally be necessary to use alternative specialist fixings available from all good DIY stores. Ensure the wall on which the cabinet is to be mounted is of sufficient strength. If in doubt seek specialist advice.

General Safety Note: Take care when using power tools in the bathroom. The use of an RCD (Residual Current Device) is recommended. Always wear eye protection when drilling. Beware of hidden cables or pipe runs.

### Product Cleaning

When cleaning glass and steel surfaces use a soft damp cloth with washing up liquid or similar. Do not use washing powders or any other substance containing abrasives since these substances will scratch glass. Do not use cleaners containing bleach, as this will effect the stainless steel surface.

### Warnings

1. Do not place very hot or very cold items against or in close proximity to glass surfaces unless adequately thick insulating material is used to prevent such items from coming into contact with the glass.
2. Do not strike the glass with hard or pointed items.
3. Please ensure cabinet is securely fixed to the wall using the guidelines already outlined above before it is used for the first time.
4. Installation must only be done by a qualified person.

## Care and maintenance - Looking after your Bathstore mirror

If water gets between the glass and the silver backing of a mirror dark patches can form. The edges of all our mirrors are sealed to prevent this from happening. This seal can be damaged and the following guidelines should be followed to ensure your mirror's longevity.

- 1) The best and safest cleaner for a mirror is warm water used with a soft, lint-free cloth. Wring all water from the cloth before wiping the mirror. Dry the mirror immediately with another dry lint-free cloth.
- 2) Don't use acid or alkali cleaners. Either substance can attack the front surface and edges as well as the backing of the mirror. Abrasive cleaners should never be used on any mirror surface as these can scratch and damage the edge sealer.
- 3) Don't spray cleaners directly on the mirror. Always apply cleaner directly to a soft, lint-free cloth and then wipe the mirror. No preparatory cleaner should be in contact with the edges of the mirror as these can damage the edge seal and cause water damage.
- 4) When cleaning several mirrors installed next to each other, wipe the joints in the same direction as the joints. This will keep the cleaner from collecting in the area where the mirrors join.
- 5) Don't use commercial mirror cleaners that contain ammonia or vinegar.
- 6) The last step to cleaning a mirror is to make sure all joints and edges are dry so that no liquid or cleaner comes into contact with the edges and backing.