

# Waterside 350 Wall Hung Tall Units Assembly Instructions







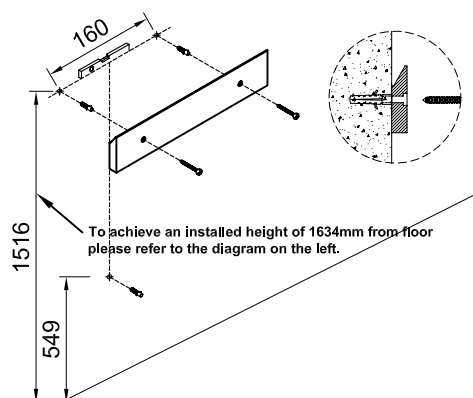
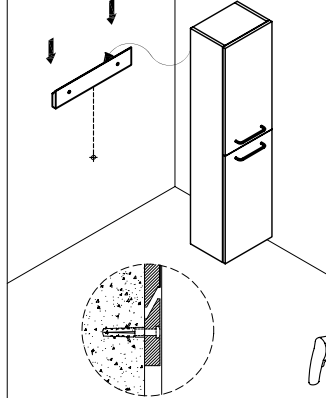

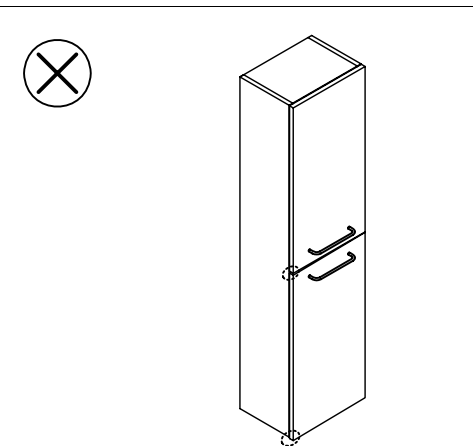
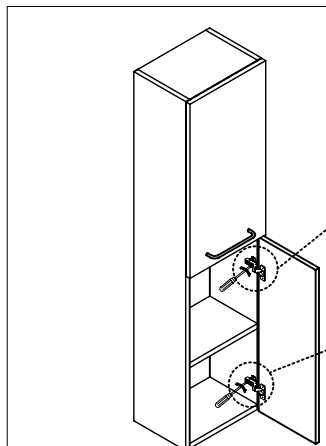
**IMPORTANT:** This unit must be securely fixed to a wall. Ensure that the top is horizontal before marking the wall for fixing.

The wall fixings supplied may not be suitable for your installation. You may need to source alternatives depending on the material and strength of the wall you are fixing to.

**Care and Maintenance :** Please leave with the householder

This furniture is made of wood, and has a water resistant finish. It should not be left wet, and the quality of the finish is best maintained if it is wiped with a dry cloth after use. It should only be cleaned using a soft damp cloth followed by a dry cloth. Do not use bleach or any abrasive cleaner.

41405015610  
41405015810  
41405016210  
41405016010

PARTS SUPPLIED	 1x  3x  3x (4.8*50)  4x  2x(200mm)  4x					TOOLS REQUIRED:
						
	 <p>Anti-Clockwise adjustment lifts the far top corner. Clockwise adjustment drops the far top corner.</p>					