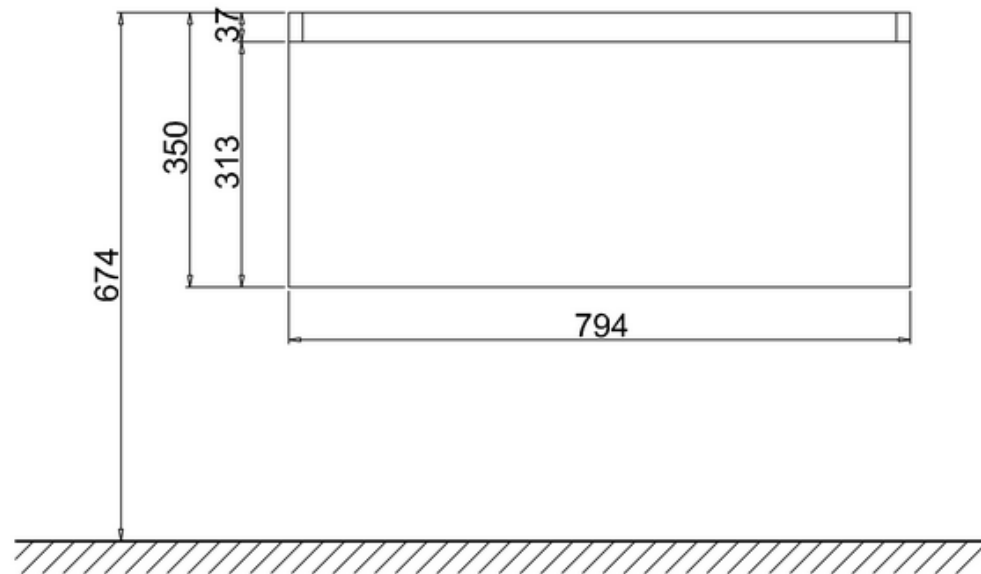
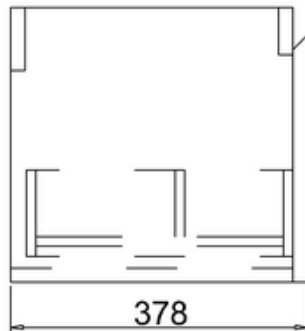
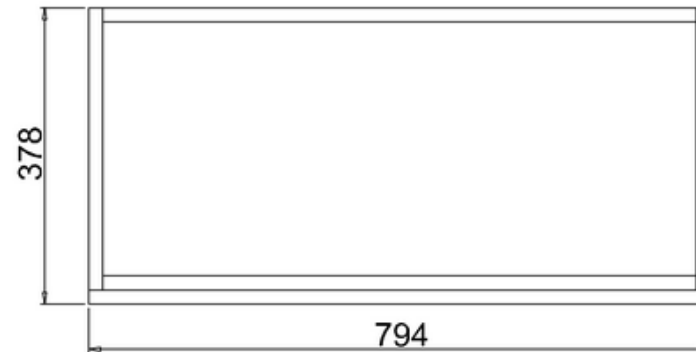




bathstore

**41405015050 - MINO GLOSS WHT 800 BASIN DRAWER UNIT W800
H378 D350**

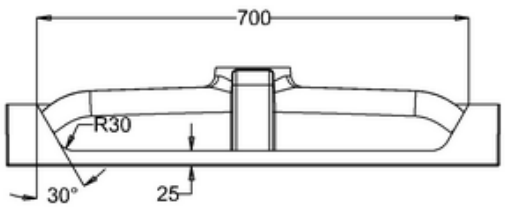
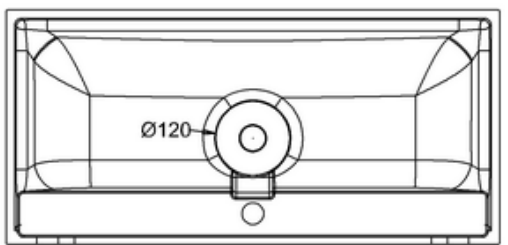
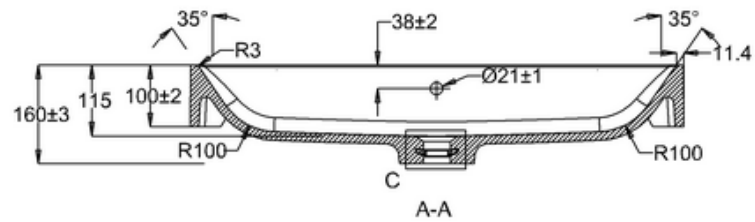
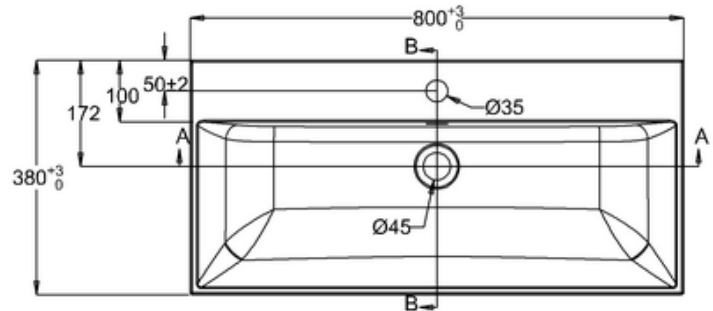
Note:
width, height dimension
tolerance is ± 5 .
depth dimension tolerance is ± 2 .



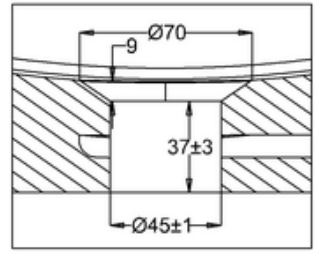
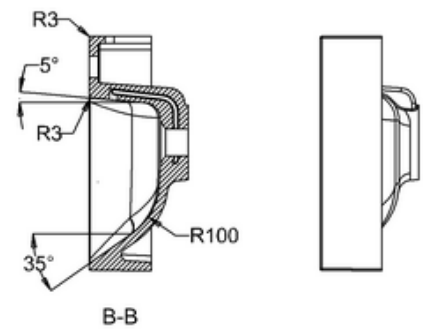


bathstore

41405002650 - ARCHIVE 800 BASIN ONE TAP HOLE WHT BNT-838



The flatness tolerance should be within 2mm



C
SCALE 1:2

- Remark:
- 1: Flatness of installation surface: 0~2mm
 - 2: Flatness of whole surface: 0~5mm
 - 3: Flatness of main surface: 0~5mm
 - 4: Flatness of side surface: 0~4mm
 - 5: Distance from tap hole to edge of bowl: Max.80mm
 - 6: Dim from basin back to center tap hole: Min.55mm
 - 7: Distance between tap hole to drain hole: Max.170mm
 - 8: Depth from tap platform to drain hole: Max.250mm