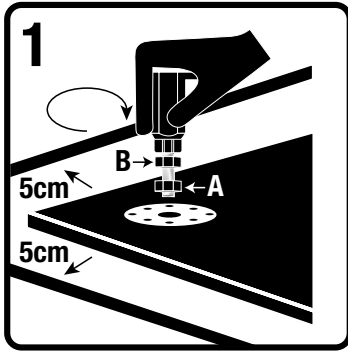
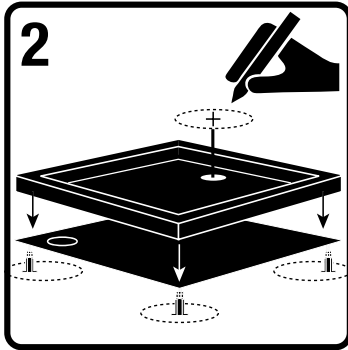


Fitting Kit Instructions

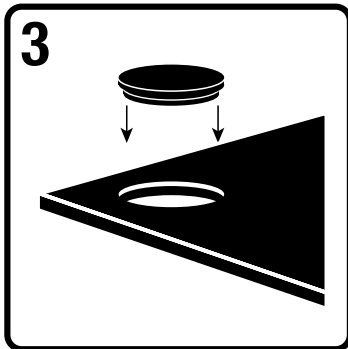
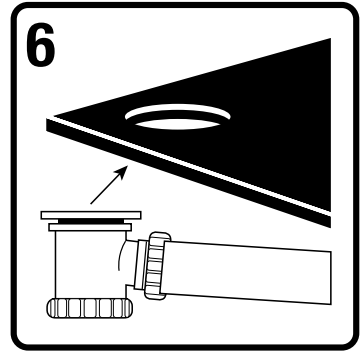


1. Fit legs and tighten nuts A. Do not tighten nut's B. Place Fitting Kit roughly in location and approximately 5cm from wall. Please note: The board is intentionally under sized.
2. Lay shower tray onto Fitting Kit with waste position in required location. Ensure that Fitting Kit is in a central location under the tray. Mark position of Fitting Kit legs on the floor but do not fix. Remove tray and keep in safe place.
3. If waste hole on shower tray is in a different location to pre-cut hole in Fitting Kit board use wooden bung as a template (the oval shape allows easier fitting of the waste trap nut).
4. Place template face down and with a pencil, trace around the template for waste position required.
5. Using a jig saw or similar cut out the new waste position. Do not cut the hole over sized as this will weaken the Fitting Kit base. Place Fitting Kit back in position. Ensure that waste trap fits inside hole. Replace bung in original pre-cut hole.

Note; it is essential that the waste trap fits inside the hole and tightens onto the base of the shower tray and not the Fitting Kit. Do not over tighten the waste.



6. Plumb from bathroom waste outlet to waste hole in Fitting Kit and fit waste trap.

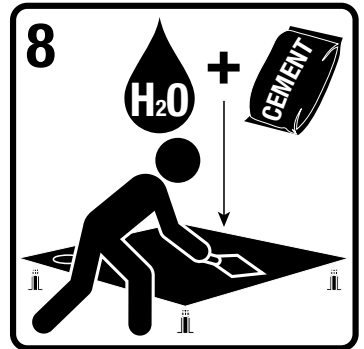


7. Use Fitting Kit as a work surface to stand on and complete all tiling, grouting, wiring and all other work around the showering area taking care to leave the final row of tiles above the Fitting Kit unfitted.

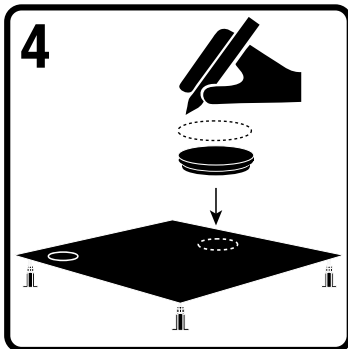


If your shower tray is a stone resin tray;

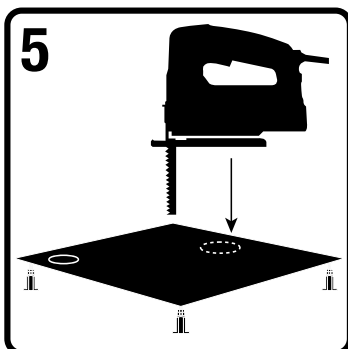
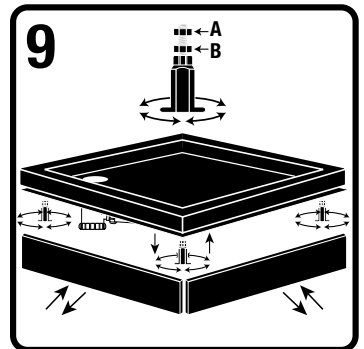
8. Mix the bedding sand and cement together and add approximately 250ml of water for each bag of sand. Thoroughly mix the sachet of additive with the water before adding to sand and cement. After mixing apply evenly over the ENTIRE surface of the Fitting Kit (including the area around the waste hole to form a screed of approximately 1cm and fit shower tray in accordance with the manufacturers instructions (to avoid potential warping, do not mix sand and cement on fitting kit board).



Note; it is essential to fit all stone resin shower trays on a bed of sand and cement – as supplied – to prevent the tray from cracking. The purpose of the cement is to support the underside of the tray and spread loads evenly through to the Fitting Kit preventing cracking from shock or general movement. It is likely that the guarantee of your Shower tray will not be valid if it is not laid on a base of the cement mix provided.



9. Once cement has set, using the black hexagonal plastic feet, adjust the height of the edges of the tray to slightly clamp the acrylic side panels between the edge of the tray and the floor. Do not fit side panels.



10. Level the tray – from the edges and not the base and tighten locknuts 'B'. It is essential that the Fitting Kit is supported by all of the feet to ensure a rigid surface. Fix feet to the floor (two fixings will be sufficient). Screw panel clips to floor to prevent panel from moving.

11. Complete final tiling, connect the tray to the waste trap with the waste flange and fit side panels, locating them in place with floor mounted panel clips.

If your tray is not a stone resin shower tray;

Fit tray in accordance with the fitting instructions and bond to Fitting Kit using bonding agent specified, then see 9 and 10 above.

