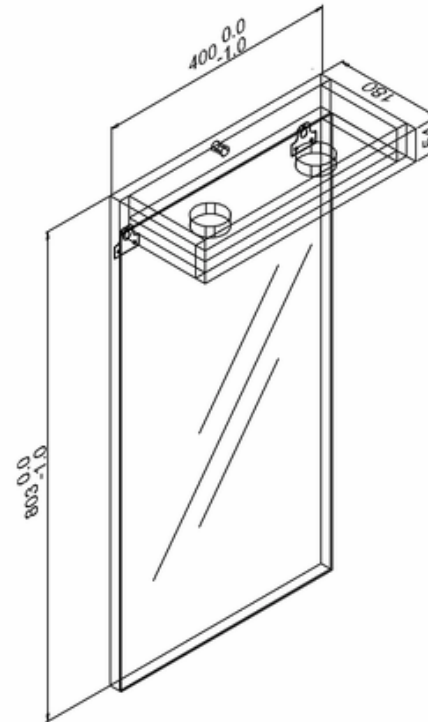
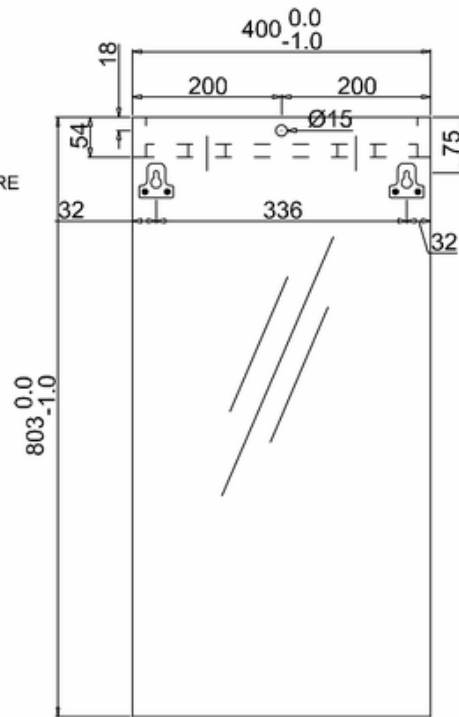
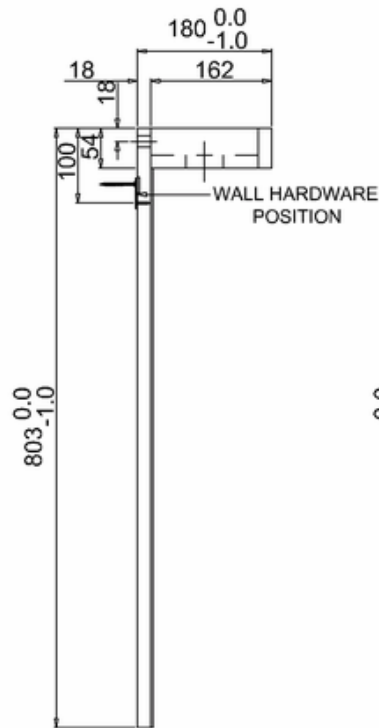
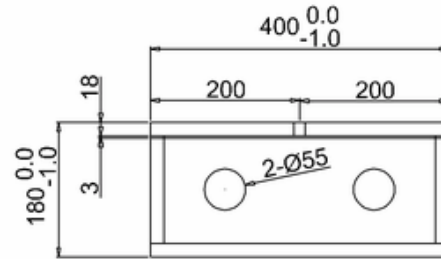




bathstore

# 41405010900 - MyPlan 400 MIRROR UNIT GLOSS WHITE EXC LIGHTS W400 D19 H803





**bathstore**

**44400007000 - MyPlan / MyRoom HALOGEN DOWNLIGHT CHR  
INC TRANSFORMER (PAIR) 20w**

