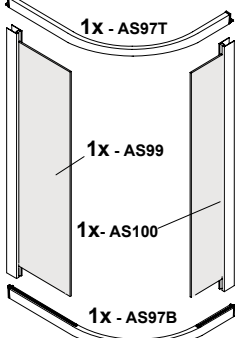
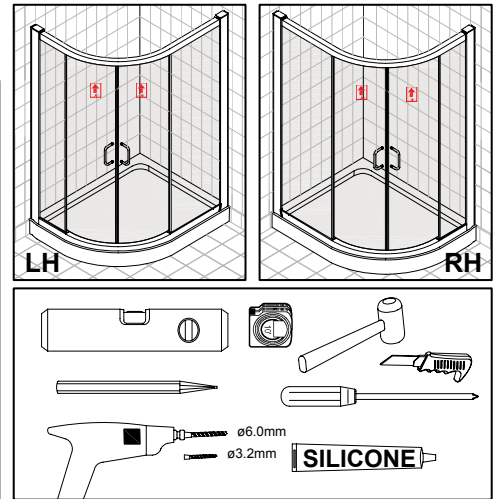
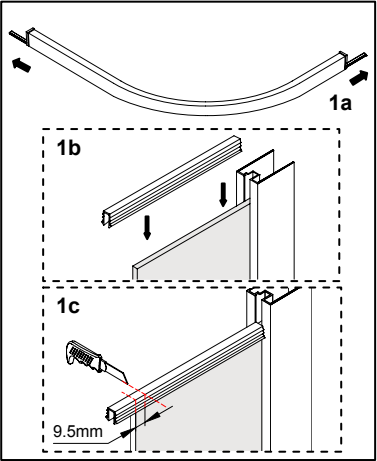
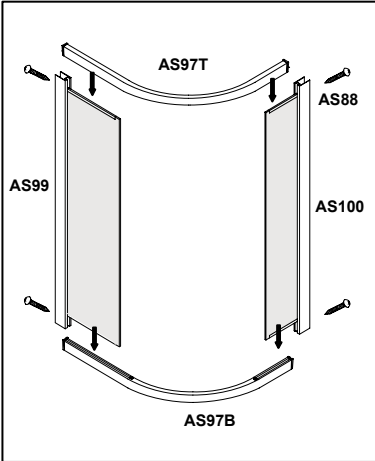
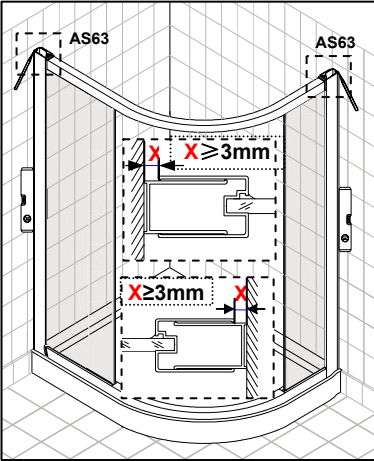
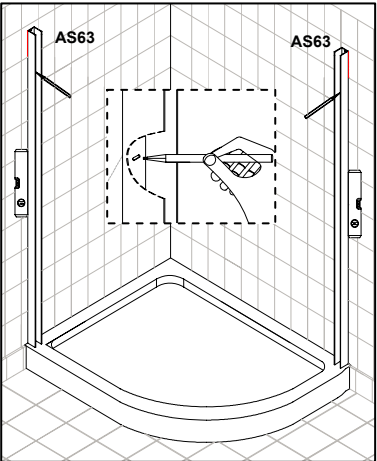
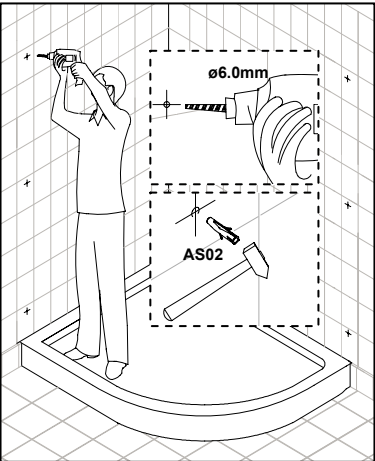
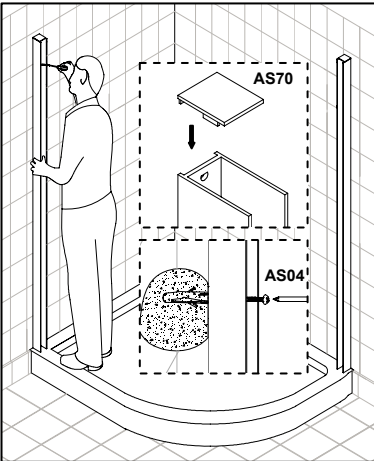
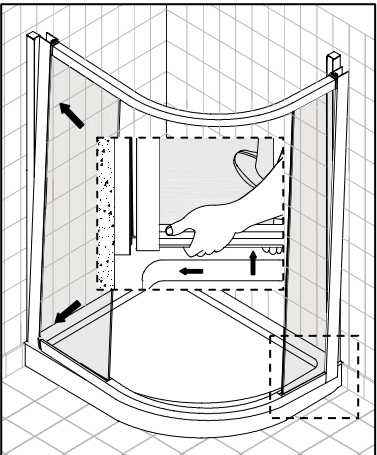
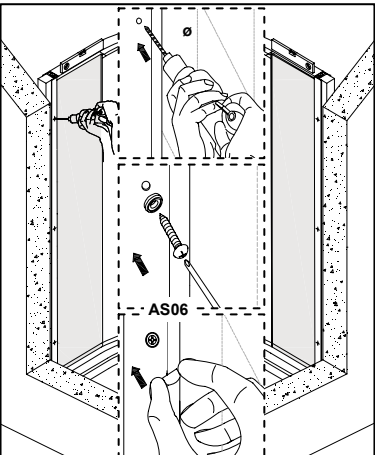
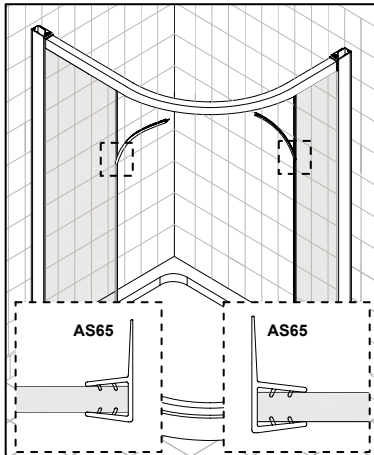


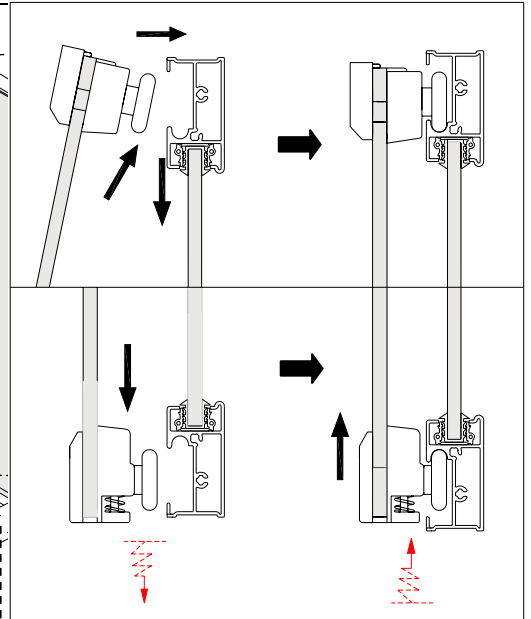
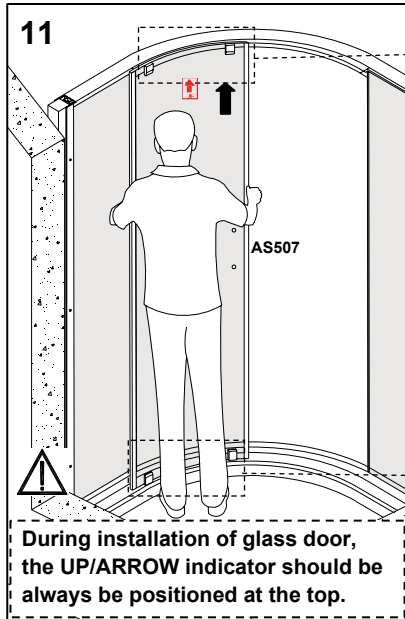
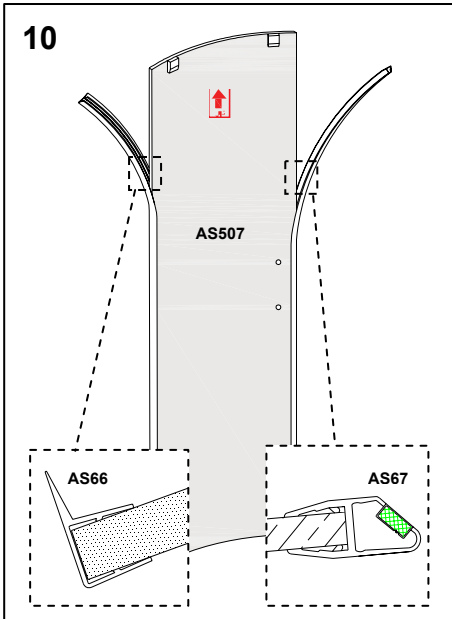
ATLAS 1200 OFFSET QUADRANT

	AS506	AS507	AS63	AS65	AS66	AS67	AS14
	1x	1x	2x	2x	2x	2x	1x
	AS02	AS04	AS88	AS06	AS68	AS69	AS70
6x	6x	4x	6x	1x	2x	2x	2x
			ST4 *50mm	ST4 *30mm			



The tray should be installed by a suitably qualified person. The tray should be level, the walls should be tiled down to the tray, and the horizontal gap between the tiles and tray must be sealed with silicone sealant to ensure water-tightness.

- 
- 
- 
- 
- 
- 
- 
- 
- 



Only if adjustment is required.

